



VR6 Series High Pressure Regulator Valves

VR6 Series Pressure Rating up to 413bar (6000 psig)

Catalog No. VR6-0
Oct. 2012



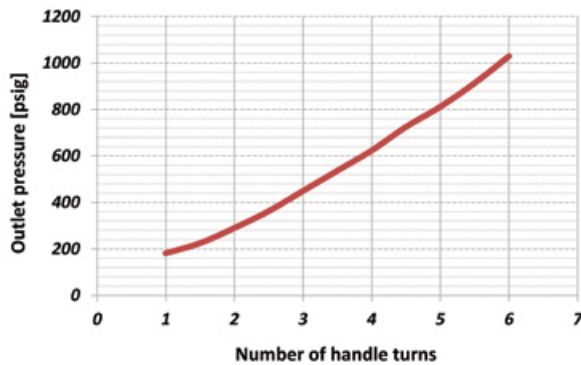
Features

- The High Pressure Regulator valve is featured by controlling the pressure toward downstream from zero to 1,000 psig (68.9 barg) precisely and keeping the downstream pressure constantly after adjusting, though the upstream pressure may be fluctuated unexpectedly.
- The diaphragm made of thin plate of stainless steel is positioned between the body and housing to make sure of stable sealing characteristics and keep the control volume.

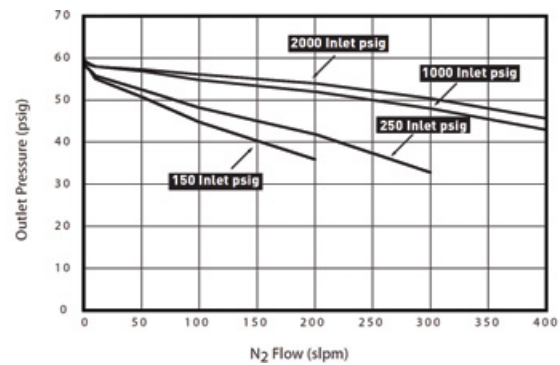
Technical Data

Body Material	Seat Material	Temperature Rating °F (°C)	Pressure Rating @ -40 ~ 160 °F (-40 ~ 70°C)	Control Volume
SS316L/A276	PCTFE	-40 ~ 160 (-40 ~ 70)	0 ~ 6,000 psig (420 barg)	4 cc

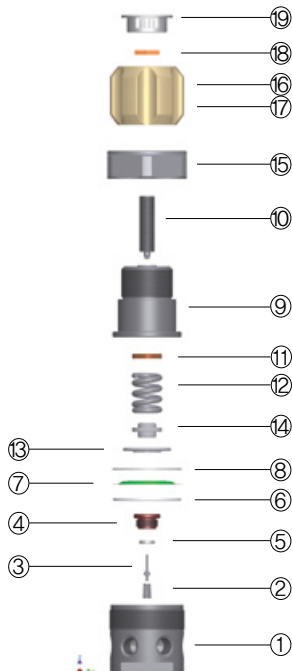
Graph 1. Control Pressure per Handle turns



Graph 2. Flow Curves



Material of Construction



No.	Component	VD3 Series (Standard)
1	BODY	SS316L/A276
2	SPRING-RETURN	SS316L
3	VALVE	SS316L
4	SEAT HOUSIG	SS316L
5	SEAT	PCTFE
6	SEAL BODY	EPDM
7	DIAPHRAGM	SS316L
8	WASHER	SS316L
9	HOUSING	SS316L/A276
10	ADJUST SCREW	SS316L
11	CAP SCREW	BRASS
12	SPRING CONTROL	SS316L
13	STOPPER	SS316L
14	PLUNGER	BRASS
15	NUT HOUSING	SS316L
16	HANDLE	ABS
17	HANDLE NUT	SS316L
18	LOCK NUT	SS316L
19	HANDLE CAP	ABS

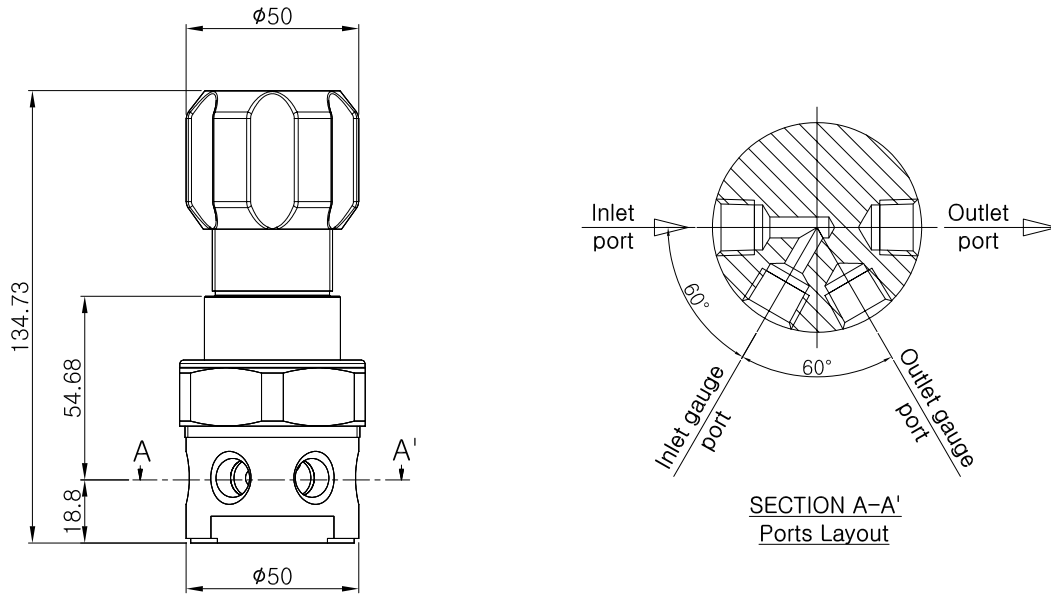
Factory Test

Every valve is factory tested with nitrogen gas @1,000 psig (68.9 barg) for leakage to a maximum allowable leak rate of 0.1 SCCM at seat. Hydraulic shell test is optionally performed at 1.5 times the working pressure to a requirement of no detectable leakage with a liquid leak detector.

Cleaning and Packaging

Every valve is cleaned and packaged in accordance with DK-LOK cleaning standard DC-01. Special cleaning and packaging in accordance with DK-LOK DC-11 ensures compliance with product cleaning of ASTM G93 Level C is available on request for valves with PCTFE and PTFE seats.

Dimensions and Port Layout



Designation for Port Layout

Port Layout				
Designation	Nil	0	3	X4

How to Order

Select applicable valve basic ordering number, options and body material designator listed below.

VR6-F-4N

↓	↓	↓	↓ -S
Port Layout	Seat Materials	Self-Vent Options	Body Material
Nil: 4 ports (60° per port) 0: None of gauge port 3: 3 port (1 for Gauge) X4: 4 ports (90° per port)	Nil: Standard PCTFE PK: PEEK	Nil: None SV: Self-Vent	<ul style="list-style-type: none"> ● S: 316L Stainless steel ● B: Brass

Safe Valve Selection

The selection of a valve for any application or system design must be considered to ensure safe performance. Valve function, valve rating, material compatibility, proper installation, operation and maintenance remain the sole responsibility of the system designer and the user. Dk Tech accepts no liability for any improper selection, installation, operation or maintenance.

DK-LOK[®]
Fittings & Valves
www.dklok.com

DK Tech Corporation
Mailing Address
1465, Seobu-ro, Juchon-Myeon, Gimhae-si,
South Korea 621-841

DK TECH contact information
Tel. (82) 55-338-0114
Fax (82) 55-338-6745
E-mail: sales@dklok.com

For International customers
Tel. (82) 55-338-0031/2
Fax (82) 55-338-6746
E-mail: dklok@dklok.com