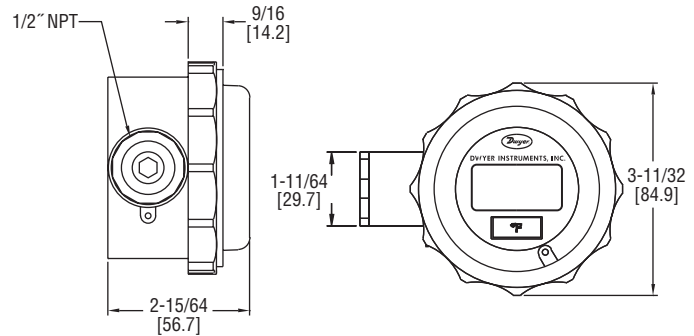


BATTERY POWERED TEMPERATURE INDICATOR

RTD or T/C Input, 4-Digit Display, Selectable °F or °C

Panel Meters/
Indicators



The **SERIES BPI** Battery Powered Indicator accepts RTD or thermocouple input and provides local or remote display of temperature measurements. The indicator is housed in a NEMA 4X (IP65) enclosure for additional protection from the environment. Users can quickly modify the instrument configuration via three push buttons on the front of the unit.

FEATURES/BENEFITS

- Programmable input type, engineering units (°F/°C), offset temperature, decimal point position, and password protection
- Four-digit segmented display

APPLICATIONS

- Provides local temperature indication in areas without power availability

MEASURING RANGES	
Sensor	Range °F (°C)
K	-328 to 2498 (-200 to 1370)
J	-148 to 2192 (-100 to 1200)
T	-346 to 752 (-210 to 400)
N	-292 to 2372 (-180 to 1300)
R	14 to 3200 (-10 to 1760)
S	14 to 3200 (-10 to 1760)
E	-328 to 1832 (-200 to 1000)
F	-148 to 1112 (-100 to 600)
Pt100Ω	-148 to 1472 (-100 to 800)
Ni120	-148 to 1472 (-100 to 800)

SPECIFICATIONS

Inputs: Thermocouple or RTD depending on model.

Accuracy: Thermocouple input: $\pm 0.1\%$ FS, $\pm 0.5^\circ\text{C}$ (plus sensor); RTD: $\pm 0.2^\circ\text{C}$ $\pm 0.1\%$ of reading (plus sensor error).

Power Requirements: 3.6 V AA lithium metal battery, included, user replaceable.

Battery Life: > 2 years.

Display: 4-digit LCD.

Resolution: 0.1°C .

Ambient Operating Temperature: 14 to 158°F (-10 to 70°C).

Storage Temperature: -4 to 185°F (-20 to 85°C).

Weight: 6.0 oz (170 g).

Front Panel Protection: NEMA 4X (IP66).

Agency Approvals: CE.

MODEL CHART

Model	Input
BPI-101	3-wire Pt100 or Ni120
BPI-102	K, J, T, N, R, S, E, or F thermocouples