

Level Switch



measuring
•
monitoring
•
analyzing

NV



- Adjustable Switch Sensitivity
- Compact Design
- Brass or Stainless Steel Construction
- Rugged Modular Design
- Max. Pressure: 232 PSIG



KOBOLD companies worldwide:

ARGENTINA, AUSTRALIA, AUSTRIA, BELGIUM, BULGARIA, CANADA, CHILE, CHINA, COLOMBIA, CZECH REPUBLIC, EGYPT, FRANCE, GERMANY, HUNGARY, INDIA, INDONESIA, ITALY, MALAYSIA, MEXICO, NETHERLANDS, PERU, POLAND, REPUBLIC OF KOREA, ROMANIA, SINGAPORE, SPAIN, SWITZERLAND, TAIWAN, THAILAND, TUNISIA, TURKEY, UNITED KINGDOM, USA, VIETNAM

KOBOLD Instruments, Inc.
1801 Parkway View Drive
Pittsburgh, PA 15205
☎ Main Office:
1.800.998.1020
1.412.788.4890
✉ info@koboldusa.com
www.koboldusa.com



Description

The KOBOLD NV is an economical, compact level switch for liquids. A cylindrical stainless steel float is located at one end of a horizontal balance arm. As the float moves with the changing liquid level, the movements are transmitted through the arm to a permanent magnet at the opposite end. The magnet then activates a reed contact, which is factory set as normally open (contact closes as liquid level rises). The switching function can be changed to normally closed by simply sliding the reed switch housing. The switch sensitivity is also adjustable to help minimize the effects of turbulence.



Specifications

Max. Temperature: 230 °F
Max. Pressure: 232 PSIG
Fitting: 3/4" NPT

Materials

Housing: Brass or 304 SS
Float: 304 SS
Plate Spring: 304 SS
Sleeve: Brass or 304 SS
Switch Housing: Polyamide
Cable: 2-wire with PVC Jacket
O-Ring
Brass Model: NBR
SS Model: FKM

Minimum Fluid Density

1" Float Option: 0.8 S.G.
2" Float Option: 0.7 S.G.

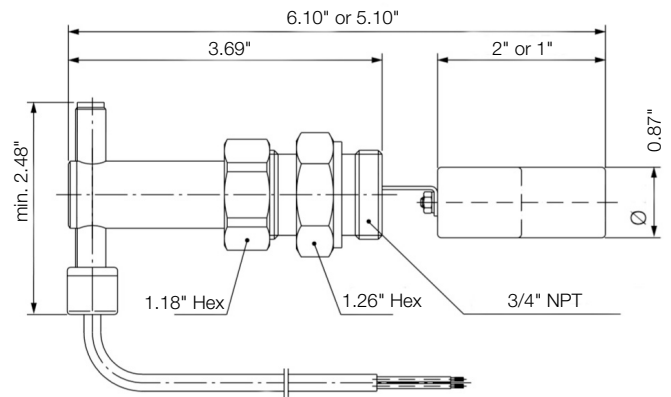
Switch Contact: SPST Reed Switch (N/O or N/C)

Max. Contact Ratings: 2A @ 20 VAC,
 0.18 @ 230 VAC
 Max. 40 W
 cCSAus Approval

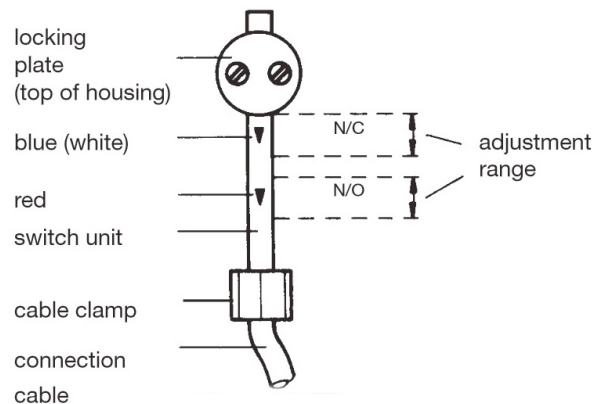
Cable Length: 5 ft. Standard
 (10', 15', 21' Optional)

Protection: NEMA 4 / IP65

Dimensions



Switch Adjustment



Order Details (Example: NV-5201)

| Float Length | Brass Model | SS Model |
|-------------------------------|---------------|----------|
| 1" | NV-5101 | NV-5201 |
| 2" | NV-5103 | NV-5203 |
| Optional Cables (5' Standard) | | |
| ..EC10 | 10 foot Cable | |
| ..EC15 | 15 foot Cable | |
| ..EC21 | 21 foot Cable | |