



Main

| | |
|---------------------------|-------------------|
| Range of product | Zelio Relay |
| Product or component type | Solid state relay |
| Device short name | SSM1 |
| Number of phases | 1 phase |

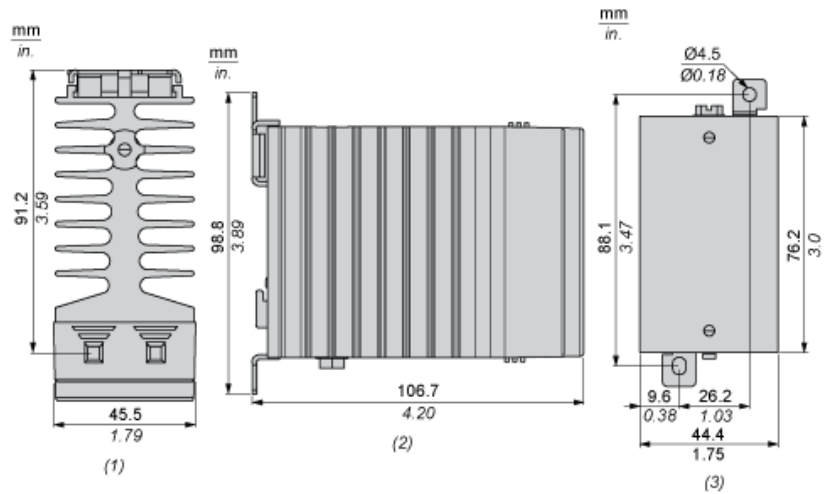
Complementary

| | |
|-------------------------------------|--|
| Mounting support | Symmetrical DIN rail |
| [In] rated current | 45 A |
| Output voltage | 48...660 V AC |
| Control circuit voltage | 90...140 V AC |
| Contacts type and configuration | 1 NO |
| Tightening torque | 1.36...1.7 N.m for output 0.6...0.7 N.m for input |
| Connections - terminals | Screw terminals : 1 x 0.2...1 x 8.4 mm ² , (AWG 24...AWG 8) for output Screw terminals : 1 x 0.2...1 x 3.3 mm ² , (AWG 24...AWG 12) for input |
| Maximum capacitance | <= 8 pF for input/output |
| Insulation resistance | 1000 MOhm at 500 V DC |
| Local signalling | LED green for input status |
| Switching voltage | 10 V AC turn-off 90 V AC turn-on |
| Input current | 15 mA at 120 Vrms |
| Solid state output type | Zero voltage switching SCR output |
| Load current | 0.15...45 A |
| Transient overvoltage | 1200 V |
| Surge current | <= 625 A for 16.6 ms |
| Voltage drop | 1.7 V on-state |
| Maximum I ² t for fusing | 1620 A ² .s for 8.3 ms |
| Leakage current | <= 1 mA off-state |
| DV/Dt | 500 V/μs off-state at maximum voltage |
| Response time | 40 ms turn-off 10 ms turn-on |
| Overvoltage category | III |
| Product weight | 0.476 kg |

Environment

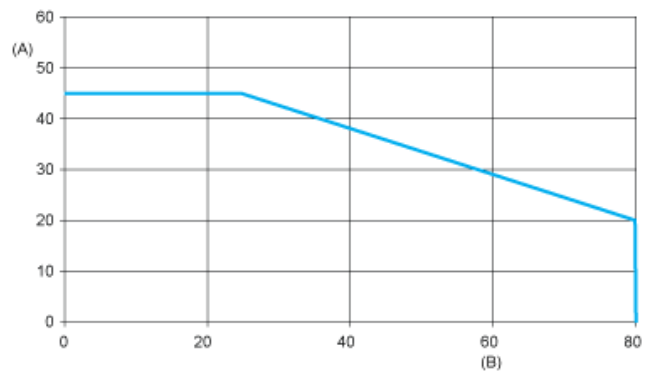
| | |
|---------------------------------------|---|
| Dielectric strength | 4 kV AC for input or output to case 4 kV AC for input/output |
| Pollution degree | 2 |
| Standards | UL 508 IEC 60950-1 CSA C22.2 No 14 |
| Product certifications | CSA UL EAC |
| Marking | CE CSA UL EAC |
| IP degree of protection | IP20 |
| Ambient air temperature for operation | -40...80 °C |
| Ambient air temperature for storage | -40...125 °C |

Dimensions



- (1) Top view
- (2) Side view
- (3) Front view

Derating Curves



A : Load Current (Amperes)
B : Ambient Temperature (°C)