

PD6870

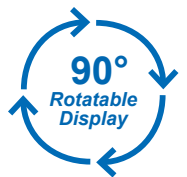
Explosion-Proof NEMA 4X, IP68 Loop-Powered Meter



Explosion-Proof / Flame-Proof

3 1/2 DIGITS • LARGE DISPLAY

- Explosion-Proof / Flame-Proof Loop-Powered Process Meter
- 4-20 mA Input
- 1.0" (25.4 mm) 3 1/2 Digits LCD Display; -1999 to 1999
- 1 Volt Drop (4 Volt Drop with Backlight)
- HART® Protocol Transparent
- Loop-Powered Backlight Option
- Operates from -40 to 75°C (-40 to 167°F)
- Coarse and Fine Zero & Span Potentiometer Adjustments for Easy Field Scaling
- Flanges for Wall or Pipe Mounting
- Explosion-Proof, IP68, NEMA 4X Die-Cast Aluminum Enclosure
- FM Approved as Explosion-Proof / Dust-Ignition Proof / Flame-Proof
- CSA Certified as Explosion-Proof / Dust-Ignition Proof
- ATEX and IECEx Certified as Flame-Proof
- Conformal Coated PCBs for Dust and Humidity Protection
- Two 3/4" NPT Threaded Conduit Openings (One Plug Installed)
- Pipe Mounting Kits
- Stainless Steel Tag Available



**PRECISION
DIGITAL** ÷

www.predig.com

PRECISION DIGITAL CORPORATION

PD6870 Explosion-Proof NEMA 4X, IP68 Loop-Powered Meter

OVERVIEW

The PD6870 is an FM Approved, CSA Certified and ATEX and IECEx Certified explosion-proof loop-powered indicator that is easy to install and program. It can be seen from considerable distance and even in bright sunlight. The fact that this meter is loop-powered means that there is no need to run additional, costly power lines into a hazardous area. The meter gets all of the power it needs from the 4-20 mA loop and its 1 V drop results in a minimal burden on the loop. The meter features a wide -40 to +75°C operating temperature range and comes with two 3/4" NPT threaded conduit openings and flanges for wall or pipe mounting. Calibration is a quick two-step process involving the adjustment of only high and low, non-interacting potentiometers.

SPECIFICATIONS

Except where noted all specifications apply to operation at +25°C.

Display: 1.0" (25.4 mm) LCD, 3½ digits; -1,999 to 1,999

Display Update Rate: 2.5 Updates/Second

Display Orientation: Display may be mounted at 90° increments up to 270° from default orientation.

Overrange: Display reads 1 on the left most digit.

Programming Method: Four front mounted potentiometers accessed when the cover is removed.

Recalibration: Recommended at least every 12 months.

Normal Mode Rejection: 60 dB rejection ratio

Operating Temperature Range: -40 to 75°C

Storage Temperature Range: -40 to 75°C

Relative Humidity: 0 to 90% non-condensing. Printed circuit boards are conformally coated.

Connections: Screw terminals accept 12 to 22 AWG wire

Enclosure: Explosion-proof die cast aluminum with glass window, 0.30% max copper content, corrosion resistant epoxy coating, color: blue. NEMA 4X, IP68. Two 3/4" NPT threaded conduit openings. One 3/4" NPT nickel plated brass conduit plug with 10 mm hex key fitting installed.

Mounting: May be mounted directly to conduit. Two slotted flanges for wall mounting or NPS 1½" to 2½" or DN 40 to 65 mm pipe mounting.

Overall Dimensions: 5.65" x 5.25" x 4.86"
(144 mm x 133 mm x 124 mm) (W x H x D)

Weight: 5.00 lbs (80 oz, 2.27 kg)

Warranty: 3 years parts and labor

Input

Input: 4-20 mA

Accuracy: ±0.1% of full span ±1 count

Temperature Drift: 150 PPM/°C from -40 to 75°C ambient

Decimal Point: User selectable decimal point

Calibration Range: 4 mA input: -1000 to +1000; 20 mA between 20 and 2000 counts greater than 4 mA display. Two point linear display span.

Maximum Voltage Drop: 1 VDC @ 20 mA without backlight;
4 VDC @ 20 mA with loop-powered backlight.

Input Overload: Over current protection to 2 A max.

Loop-Powered Backlight Option: Factory installed only. Powered directly from the 4-20 mA loop, no batteries required. Backlight can be enabled or disabled via alternative wiring of terminal block. The display brightness will increase as the input signal current increases.

Product Ratings & Approvals

FM: Explosion-proof for Class I, Division 1, Groups B, C and D and Dust-ignition-proof for Class II/ III, Division 1, Groups E, F and G; T6 Flame-proof for use in Class I, Zone 1, AEx d Group IIC; T6 Protection by Enclosure, Zone 21, AEx tb IIIC; T85°C

Ta = -40 to +75°C. Enclosure: Type 4X, IP66. Certificate number: 3040391

ATEX: II 2 G D. Ex d IIC T6 Gb. Ex tb IIIC T85°C Db IP68.

Ta = -40 to 75°C. Certificate number: Sira 10ATEX1116X

IECEX: Ex d IIC T6 Gb. Ex tb IIIC T85°C Db IP68. Ta = -40 to 75°C.

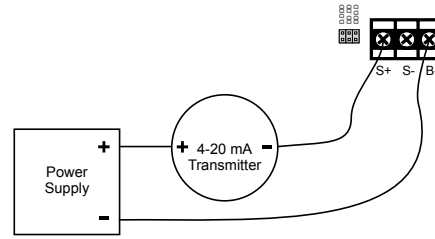
IECEX SIR 10.0056X.

CSA: Class I, Division 1, Groups B, C, D. Class II, Division 1, Groups E, F, G. Class III, Division 1; T6. Class I, Zone 1, Ex d IIC T6.

Ta = -40 to 75°C. Enclosure: Type 4X & IP66/68.

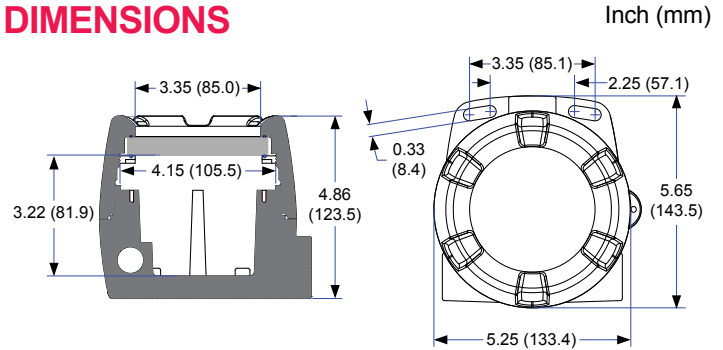
Certificate number: 2325749

CONNECTIONS



PD6870 Input Connections with Loop-Powered Backlight

DIMENSIONS



ORDERING INFORMATION

PD6870 Explosion-Proof Loop-Powered Meter	
Model	Options Installed
PD6870-0L0	None
PD6870-0K0	Backlight

Accessories	
Model	Description
PDA0001	PDA0001 3/4" M-NPT to F-M20 Approved Reducer
PDA0002	PDA0002 3/4" M-NPT to 1/2" F-NPT Approved Reducer
PDA6846	2" Pipe Mounting Kit (Zinc Plated Steel)
PDA6846-SS	2" Pipe Mounting Kit (Stainless Steel)
PDAPLUG75	3/4" NPT 316 Stainless Steel Approved Stopping Plug
PDA-SSTAG	Stainless Steel Tag

Your Local Distributor is:

Disclaimer

The information contained in this document is subject to change without notice. Precision Digital Corporation makes no representations or warranties with respect to the contents hereof, and specifically disclaims any implied warranties of merchantability or fitness for a particular purpose.

©2011-2018 Precision Digital Corporation. All rights reserved.

LDS6870_E 01/16

