

# Pneumatic & Hydraulic Accessory Valves Shuttle Valves

up to 690 bar

Superior performance  
throughout the full  
operational range

## Features:

- 316L stainless steel
- Arctic Service options to -50°C
- Subsea availability



# Hydraulic Shuttle Valve

## MATERIALS OF CONSTRUCTION

- All valve bodies:- 316L stainless steel
- Internal components:- 316L stainless steel
- Seat:- 316L stainless steel / PEEK
- Seals:- Nitrile (standard) / PTFE.
- Alternative elastomers available for extreme conditions.

## TEMPERATURE RANGE:

See elastomer options

## SOUR GAS SERVICE (REFER TO ORDERING CODE):

All internal wetted and body metal materials conforming to NACE MR-01-75.

## SELECTION CHART:

FP15/SV	15 lpm @ 10 bar DP. Max Valve Pressure 690bar	Model Code
04	1/4" NPT	Connections
S	Nitrile (-30°C to +130°C)	O-ring Material
V	Viton (-20°C to +180°C)	
SA	Low temperature Nitrile (-46°C to +130°C)	
H2S	NACE MR-01-75 Consult Bifold Fluidpower	Option
FP15/SV / 05 / S		Example Code

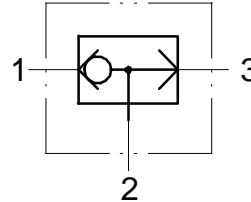
Reliability and innovation in directional control valves

## MEDIA:

Mineral oils, water glycol mixtures, sea water (filtered), some chemicals.

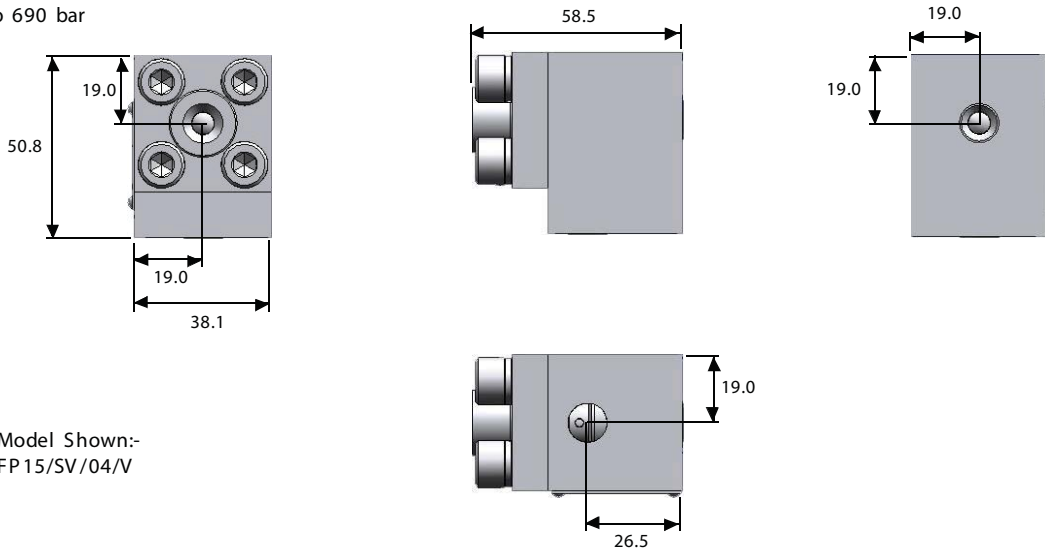
## WORKING PRESSURE:

Up to 690 Bar (10,000PSI).



## FP15 SHUTTLE VALVES

Upto 690 bar



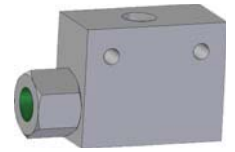
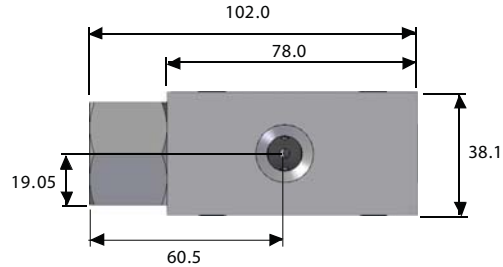
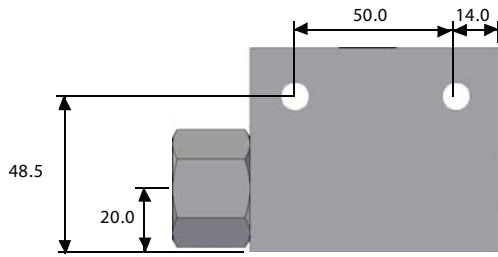
Model Shown:-  
FP15/SV/04/V

## TOPSIDE / SUBSEA SELECTION CHART:

FPS50/SV	Subsea	50 lpm @10 bar DP	Model Code
FP50/SV	Topside	Max Valve Pressure 345bar	
08	1/2" NPT	Connections	
S	Nitrile (-30°C to +130°C)	O-ring Material	
V	Viton (-20°C to +180°C)		
SA	Low temperature Nitrile (-46°C to +130°C)		
H2S	NACE MR-01-75 Consult Bifold Fluidpower	Option	
FP50/SV / 05 / S			Example Code

## FPS50 + FP50 SHUTTLE VALVES

Upto 345 bar



- All ports 1/2"  
- Max working pressure 345 bar

## Pneumatic Shuttle Valves

### OPERATING MEDIA

- Air, sweet and sour gas

### OPERATING PRESSURE

- 0-12 bar standard

### TEMPERATURE RANGE:

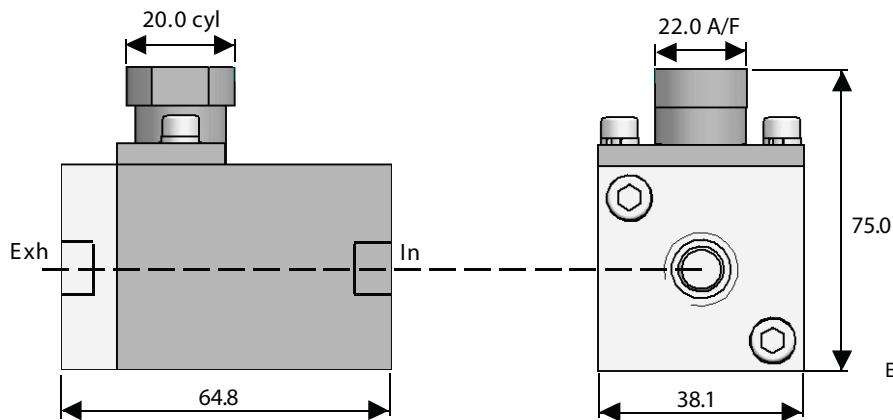
See selection chart model code.

### MECHANICAL CONSTRUCTION

- Body:- stainless steel 316L
- Fasteners:- Metric A4 18/10 316 grade stainless steel
- Seat Material:- Viton (standard). Alternative elastomers available for extreme conditions

## SELECTION CHART

S	standard service	(-20°C to 180°C)	Model Code	
AS	arctic service	(-50°C to 40°C)		
06 - 1/4" NPT; 09 - 3/8" NPT; 12 - 1/2" NPT; 19 - 3/4" NPT; 25 - 1" NPT			Port Sizes	
SV Shuttle Valve			Configuration	
K6 BSPP ported			Options	
S	06	- SV	- K6	Ordering Example



### Working Pressures

1/4"	1 - 12 bar g
3/8"	0 - 12 bar g
1/2"	0 - 12 bar g
3/4"	1 - 12 bar g
1"	1 - 12 bar g

### Cv

0.9 (in to cyl)
1.7
1.9
6.5
8.2

### UK Office

Greenside Way, Middleton, Manchester, M24 1SW

Tel:- +44 (0)161 345 4777

Fax:- +44 (0)161 345 4780

E Mail:- [sales@bifold-fluidpower.co.uk](mailto:sales@bifold-fluidpower.co.uk)

Web:- [www.bifold-fluidpower.co.uk](http://www.bifold-fluidpower.co.uk)

### USA Office

11490 Westheimer, Suite 900, Houston, Texas , 77077

Tel:- +1 713 783 4253

Fax:- +1 713 783 0067

Email:- [sales@bifold-fluidpower.com](mailto:sales@bifold-fluidpower.com)

Web:- [www.bifold-fluidpower.com](http://www.bifold-fluidpower.com)

### Asia Pacific Office

424 Balestier Road # 02-08, Giffard Mansion, Singapore 329810

Tel:- +65 6735 1323

Fax:- +65 6735 1367

E Mail:- [bifold@singnet.com.sg](mailto:bifold@singnet.com.sg)

Web:- [www.bifold-fluidpower.co.uk](http://www.bifold-fluidpower.co.uk)

### Quality Assurance

All Bifold Fluidpower products are manufactured to a most stringent QA programme. Every care is taken at all stages of manufacture to ensure that every product will give optimum performance and reliability. We are recognised to EN ISO 9001:2000. Functional test certificate, letter of conformity and copies of original mill certificates, providing total traceability are available on request, to BSEN 10204 3.1.B where available. The manufacturer reserves the right to make changes to the specifications and design etc., without prior notice

### Accuracy of information

We take care to ensure that product information in this catalogue is reasonably accurate and up-to-date. However, our products and services are continually updated so to ensure accurate and up-to-date information please refer to the issue list on the web site or contact a member of our sales team.

