

PDA6260

2" Pipe Mounting Kit for PD2 & PD4 Meters



KEY FEATURES

- Mounts PD2 & PD4 Meters to 1.5" or 2" Pipe
- Suitable for Horizontal or Vertical Pipes
- All Necessary Hardware Provided
- Zinc Plated Steel

OVERVIEW

The PDA6260 provides a convenient way to mount Precision Digital series PD2 and PD4 NEMA 4X Large Display Meters to horizontal or vertical 1.5" or 2" pipes. The mounting kit is available in zinc plated steel and includes all necessary hardware to mount the meter.

MOUNTING INSTRUCTIONS

1. Attach the two mounting plates to the PD2 or PD4 with the provided hardware.
 - a. The holes for the screws are found on the flange at the top of the instrument and inside the small door at the base of the instrument.
 - b. Refer to the Figure 2 for the location of the holes on the plates for vertical and horizontal pipe mounting.
2. Mount the two plates to the pipe with the provided U-bolts and hardware.

CONTENTS

- All hardware zinc plated steel
- Two 13 gauge mounting plates
- Four (each) bolts, washers, lock washers & nuts to mount meter to plates
- Two U-bolts and four (each) washers, lock washers & nuts to mount plates to pipe



MOUNTING (Rear View)

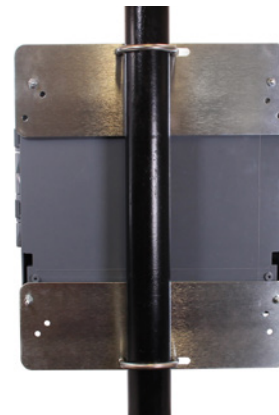


Figure 1. Rear View of PDA6260 Pipe Mounting Kit

MOUNTING HOLES LOCATION

Hole ID	Mount Orientation	Enclosure Hole Location
1	Vertical Pipe	Top Side Holes
2	Horizontal Pipe	Right/Left Side Holes
3	Vertical Pipe	Bottom Side Holes

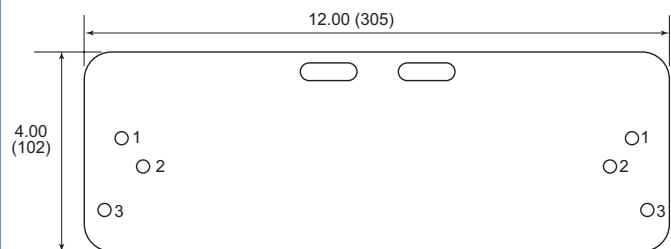


Figure 2. Hole Location Table & Dimension Drawing: Inches (mm)

PDA6260 2" Pipe Mounting Kit for PD2 & PD4 Meters

DRAWINGS

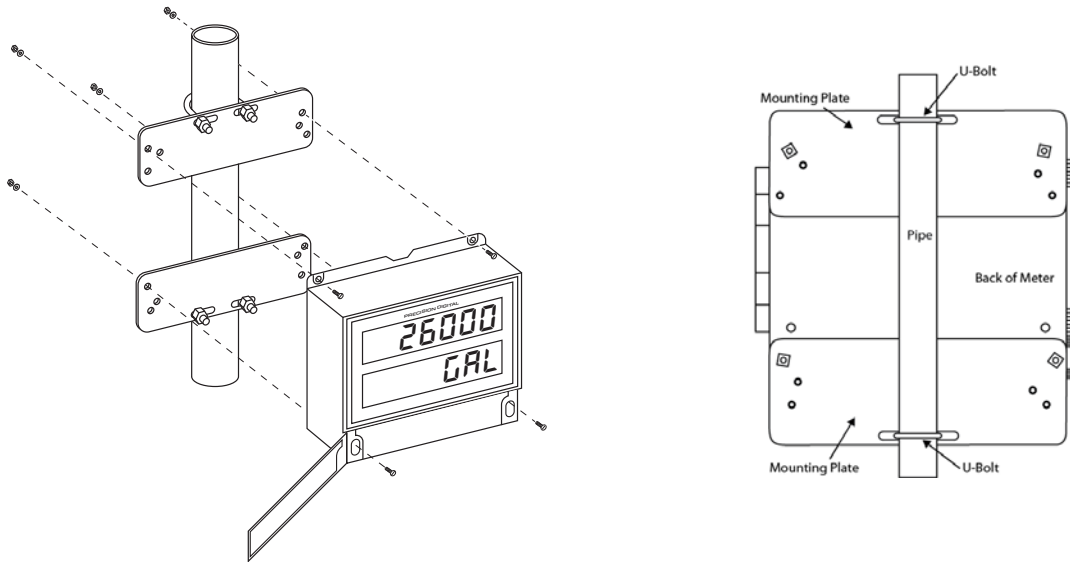


Figure 3. PDA6260 Mounted to 2" Vertical Pipe

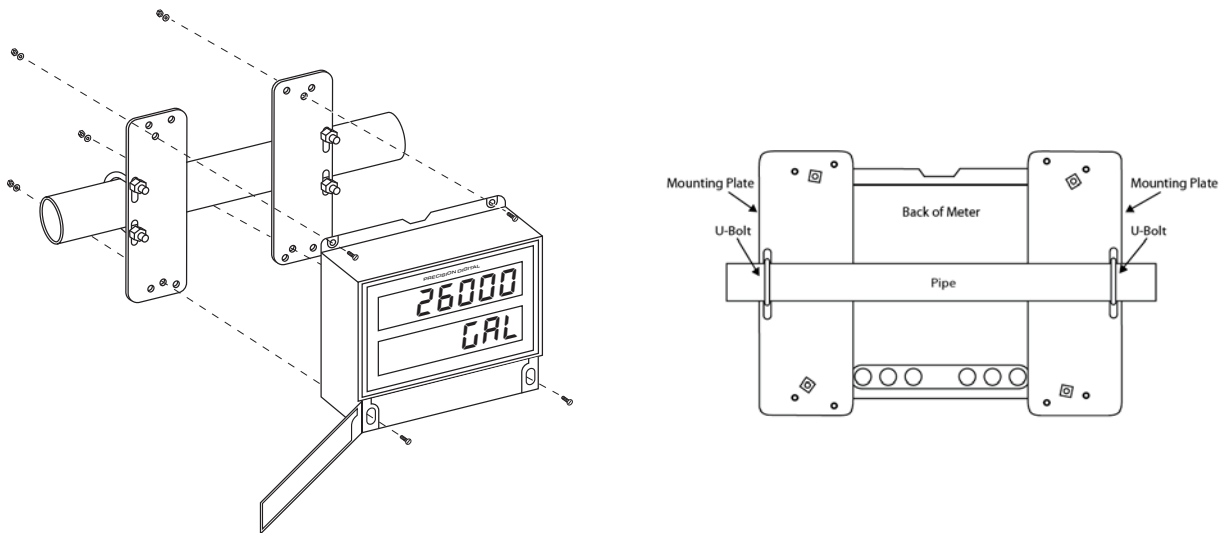


Figure 4. PDA6260 Mounted to 2" Horizontal Pipe

ORDERING INFORMATION

Model	Description	Plate Dimensions Inch (mm)	Weight lb (kg)
PDA6260	Steel Pipe Mount Kit for PD2 & PD4 Meters	12.00 x 4.00 X 0.90 (305 X 102 X 23)	2.60 (1.18)

The PDA6260 may be used to mount the following products to 1.5" or 2" pipes:

- PD2 Helios Large Display Meters
- PD4 Large Display Loop-Powered Meters

Disclaimer

The information contained in this document is subject to change without notice. Precision Digital Corporation makes no representations or warranties with respect to the contents hereof, and specifically disclaims any implied warranties of merchantability or fitness for a particular purpose. See Warranty Information and Terms & Conditions on www.predig.com for complete details.

© 2020 Precision Digital Corporation. All rights reserved.

WARNING

Cancer and Reproductive Harm - www.P65Warnings.ca.gov

LIM6260_A 06/20