

Hy-Lok 110 Series

Ball Valves



for use with 1/4" thru 2" Tube and Piping Systems

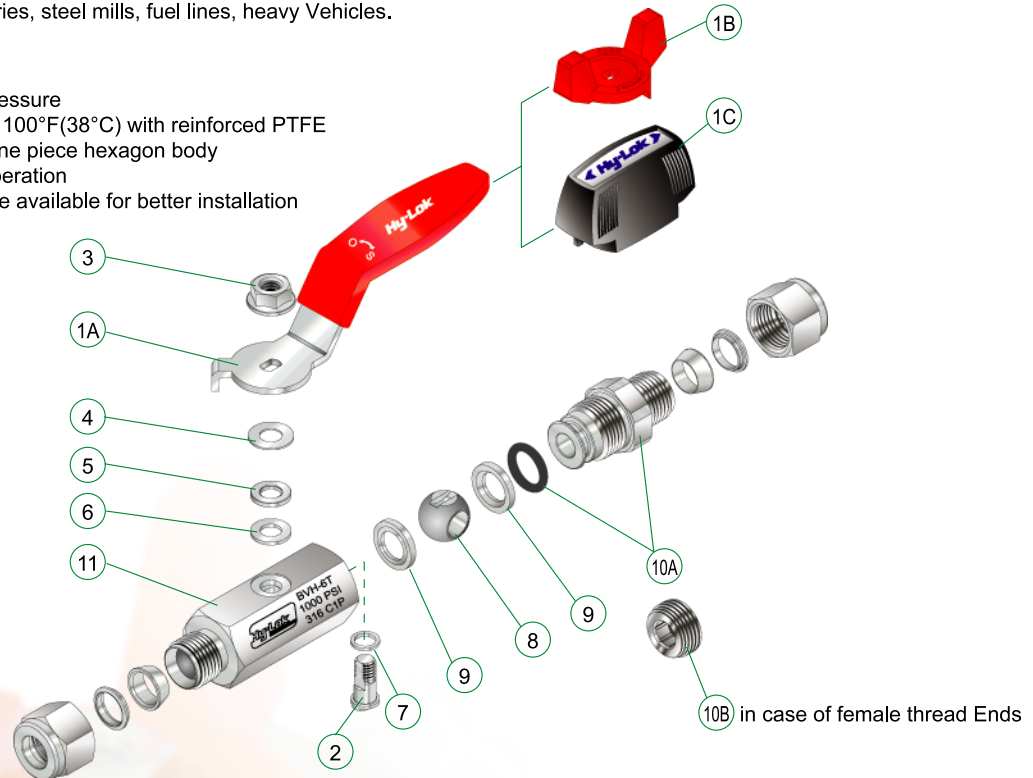
Application

Chemical plants, refineries, steel mills, fuel lines, heavy Vehicles.

Catalog No. H-110BV
Nov. 2013

Features

Maximum Operating Pressure of 1000psig(69bar) @ 100°F(38°C) with reinforced PTFE
Compact Design with one piece hexagon body
Low Torque for easy operation
Butterfly & Nylon Handle available for better installation in a restricted space

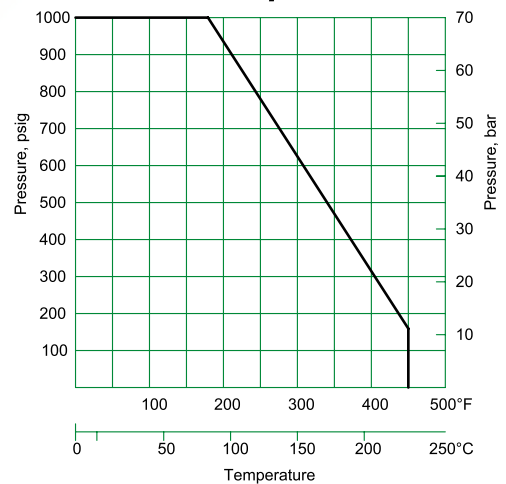


Material of Constructions

Item	Description	Grade / ASTM Specification	
		SS316	Brass
1A	Handle	SS316 Lever with Coated(Red Color)	
1B		Zinc with Nickel Plated(Red & Blue Color available)	
1C		Dielectric Nylon(Black Color)	
2	Stem	316 Stainless Steel	
3	Lock Nut	316 Stainless Steel	
4	Gland Washer	316 Stainless Steel	
5	Gland	316 Stainless Steel	
6	Outer Packing	Reinforced PTFE	
7	Inner Packing	Reinforced PTFE	
8	Ball	316/316L Stainless Steel	
9	Seat	Reinforced PTFE	
10A	End Connector	TP316 / A479	Brass
10B		with O-Ring*	
11	Body	TP316 / A479	

*O-Ring of NBR standard, FKM(e.g Viton)on request.

Pressure-Temperature Rating



HY-LOK CORPORATION

©1998, 2000, 2002, 2007, 2013 HY-LOK CORPORATION All rights reserved

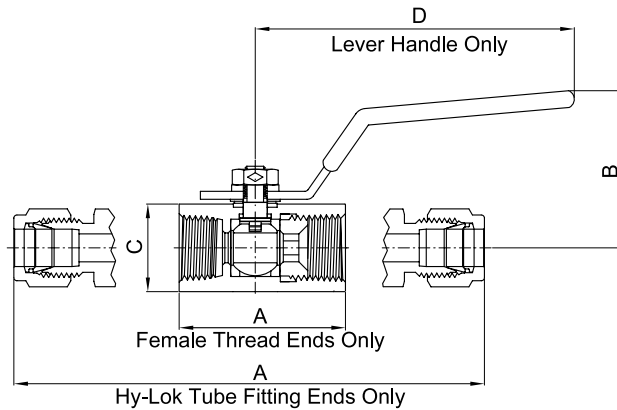
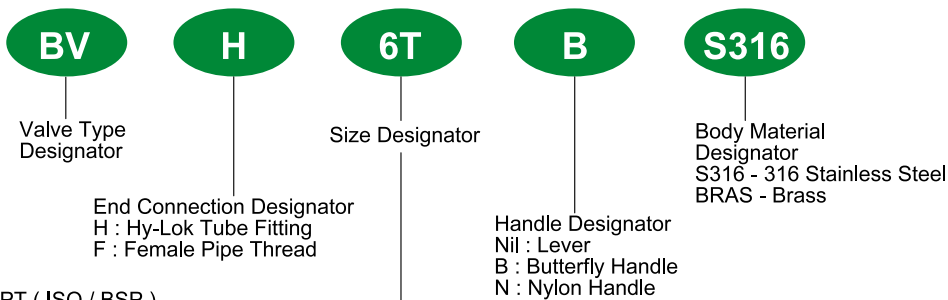


Table of Dimensions

Basic Part NO.	Orifice	Cv	End Connections	Dimensions				Weight (kg)
			Both Ends	A	B	C (Hex)	D	
BVH-6M	5.0	0.84	6mm Hy-Lok	79.5	31	17.0	60.0	0.13
BVH-4T			1/4" Hy-Lok	79.5				0.13
BVF-4N			1/4" Female NPT	40.0				0.07
BVH-10M	7.5	4.20	10mm Hy-Lok	90.0	40	20.6	80.0	0.22
BVH-6T			3/8" Hy-Lok	90.0				0.22
BVF-6N			3/8" Female NPT	45.0				0.13
BVH-12M	9.0	6.50	12mm Hy-Lok	99.0	42	27.0	80.0	0.34
BVH-8T			1/2" Hy-Lok	99.0				0.34
BVF-8N			1/2" Female NPT	54.5				0.21
BVH-16M	12.5	8.00	16mm Hy-Lok	109.0	51	32.0	100.0	0.49
BVH-10T			5/8" Hy-Lok	109.0				0.49
BVF-12N			3/4" Female NPT	61.0				0.33
BVH-12T			3/4" Hy-Lok	110.0				0.57
BVH-16T	16.0	25.00	1" Hy-Lok	134.0	55	38.0	100.0	0.85
BVF-16N			1" Female NPT	76.0				0.60
BVF-20N	21.0	-	1 1/4" Female NPT	89.0	65	50.0	151.0	0.90
BVF-24N	24.0	-	1 1/2" Female NPT	95.0	68	55.0	148.5	1.10
BVF-32N	32.0	-	2" Female NPT	110.0	73	70.0	144.0	2.00

All dimensions are in millimeters. Dimensions shown with Hy-Lok nuts in finger-tight position, where applicable.

Ordering Information



NPT (ISO / BSP) _____

Thread(in.)	1/4	3/8	1/2	3/4	1	1 1/4	1 1/2	2
Designator	4N(R)	6N(R)	8N(R)	12N(R)	16N(R)	20N(R)	24N(R)	32N(R)

Tube

Fractional Tube	O.D(in.)	1/4	5/16	3/8	1/2	5/8	3/4	7/8	1
	Designator		4T	5T	6T	8T	10T	12T	14T
Metric Tube	O.D(mm)	6	8	10	12	15	16	22	25
	Designator		6M	8M	10M	12M	15M	16M	22M

Note "N": No designator is required for Lever Handle e.g. BVH-6T - S316

SAFETY in VALVE SELECTION

Proper installation, material compatibility, operation and maintenance of these valves are the responsibility of the user. The total system design must be taken into consideration to ensure optimal performance and safety.