



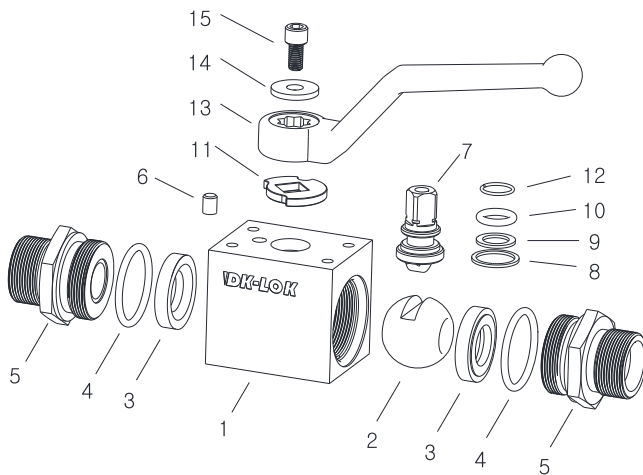
**Features**

- Pressure Rating up to 500 bar (7,250 psi)
- Positive stop with robust stop pin
- Various end ports including DIN Standard port

**Features**

- Hydraulic fluids
- Compressed Air
- Fuel oil system

**Material of Construction**



Component	Valve Body Material	
	Stainless Steel	Carbon Steel
	Grade/ASTM, JIS Specification	
1. Body	SS316/A276	S45C
2. Ball	SS316/A276	SS316/A276
3. Seat	POM	
4. o-ring	FKM	NBR
5. Connector	SS316/A276	S45C
6. Pin	SS316	
7. Stem	SS316/A276	S45C
8. Bearing	POM	
9. Stem ring	POM	
10. Stem o-ring	FKM	
11. Stopper	SS304	
12. Snap ring	SS304	
13. Handle	SS316	S45C
14. Washer	SS304	
15. Screw	SS304	SS41

- Wetted parts and lubricants listed in blue.
- Fluorinated-based lubricant

**Factory Testing**

Every valve is tested with nitrogen gas @ 1000 psig(68bar) for leakage at the seat to a maximum allowable leak rate of 0.1 SCCM. The stem packing is tested with nitrogen gas@1000 psig for no detectable leakages.

**Optional Seat Material**

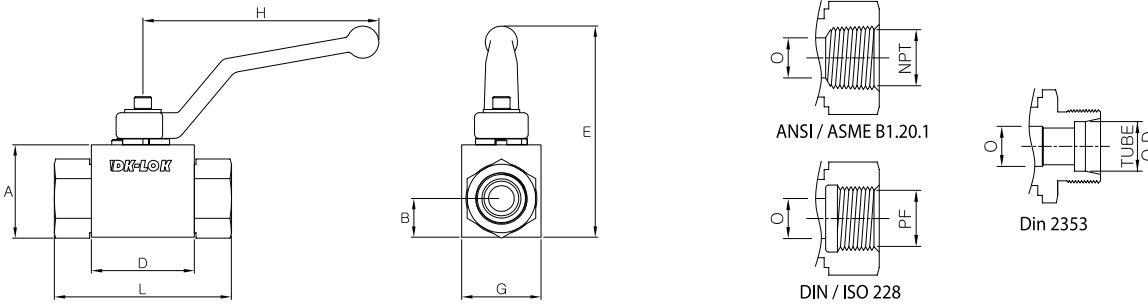
Rating based on valve with standard POM seat.

Seat	Temperature Rating ° C (°F)
POM, PEEK	-30 to 100 (-22 to 212)
PTFE	-54 to 65 (-65 to 149)

**Optional O-ring Materials**

FKM O-Rings are standard. Add the designator to the ordering number for valve with optional O-ring material.

O-ring Materials	Designator	Temperature Rating ° C (°F)
FKM	Nil	-23 ~ 190 (-10 ~375)
NBR	BN	-23 ~ 121 (-10 ~ 250)
EPDM	EP	-45 ~ 148 (-50 ~ 300)
FFKM	KZ	-30 ~ 210 (-22 ~ 410)



**Ordering Information and Table of Dimensions**

Basic Ordering Number	End Connections	DN O	PN bar	Dimensions, mm							
				A	B	E	G	D	L	H	
V87A-	F2N	1/8 in. Female NPT	4	500	35	14.5	96.5	30	42.0	71.0	110
	F4N	1/4 in. Female NPT	6								
	F2G	1/8 in. Female PF	4								
	F4G	1/4 in. Female PF	6								
	N6L	6mm	6								
	N8L	8mm									
	N10L	10mm									
	N8S	8mm	4								
	N10S	10mm	6								
N12S	12mm	8									
V87B-	F6N	3/8 in. Female NPT	10	500	40	18.5	101.5	35	44.4	73.0	110
	F6G	3/8 in. Female PF								79.5	
	N12L	12mm								82.5	
	N14S	14mm								83.0	
	F8N	1/2 in. Female NPT									
V87C-	F8G	1/2 in. Female PF	13	500	43	19.5	104.5	37	48.4	87.0	110
	N15L	15mm								89.0	
	N18L	18mm								93.0	
	N16S	16mm								95.0	
	N20S	20mm									
	V87D-	F12N								3/4 in. Female NPT	
F12G		3/4 in. Female PF	111.0								
N22L		22mm	112.0								
N25S		25mm									
V87E-	F16N	1 in. Female NPT	20	350	65	29.5	140.0	55	66.5	117.0	175
	F16G	1 in. Female PF								119.0	
	N28L	28mm								121.0	
	N35L	35mm								121.0	
	N42L	42mm									
	N30S	30mm								131.0	
	N38S	38mm									

**Ordering Information**

Select valve basic ordering number, applicable options and body material.

V87A - F4N -	BN-				S	
V87B - N12L -		EP-				L
V87D - N30S -			KZ-	PE		
O-ring Material Designator		Seat Material Designator			Valve Body Material Designator	
Nil : FKM BN : NBR EP : EPDM KZ : FFKM		Nil : POM PE : PTFE PK : PEEK			S : 316 stainless steel L : 316L stainless steel C : Carbon steel	

**Safe Valve Selection**

The selection of a valve for any application or system design must be considered to ensure safe performance. Valve function, valve rating, material compatibility, proper installation, operation and maintenance remain the sole responsibility of the system designer and the user. DK-Lok accepts no liability for any improper selection, installation, operation or maintenance.

 Fittings & Valves <a href="http://www.dklok.com">www.dklok.com</a>	<b>DK-LOK Corporation</b> Mailing Address 7, Golden root-ro 129beon-gil, Juchon-myeon, Gimhae-si, Gyeongsangnam-do, South Korea 621-842	DK-Lok contact information Tel. (82) 55-338-0114 Fax. (82) 55-901-0143 E-mail : sales@dklok.com	For International customers Tel. (82) 55-338-0031/2 Fax. (82) 55-901-0142 E-mail : dklok@dklok.com
--	--	--	---