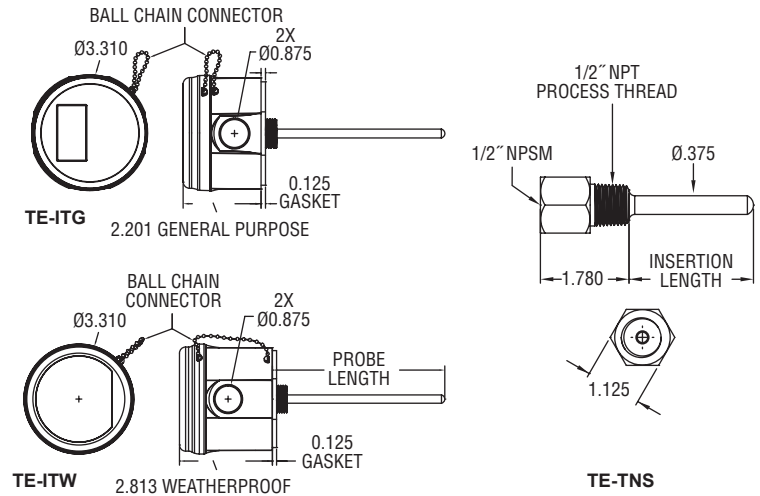
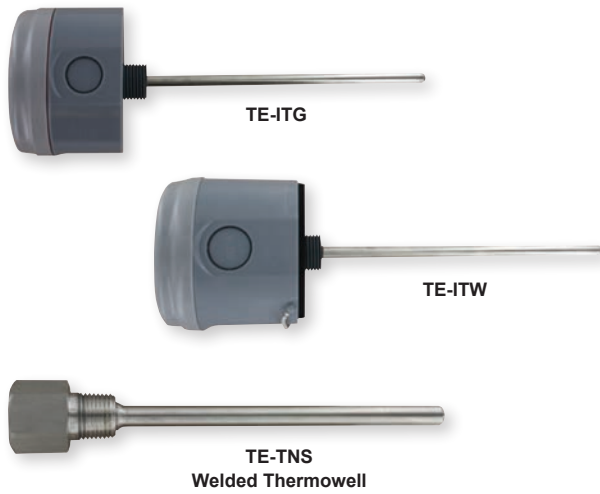




IMMERSION TEMPERATURE SENSORS

New Integral Mounting Connection, Welded Thermowells



The **SERIES TE-I** Immersion Style Temperature Sensors accurately measure water temperature inside chilled and hot water loops in HVAC systems. Thermowells are required to protect the electrical connection from the process water and to allow replacement of the sensors without draining the system.

FEATURES/BENEFITS

- 1/4 turn housing cover with chain to prevent dropping
- Multiple conduit knockouts for easy installation positioning
- Integral 1/2" NPT connection for direct mounting to a thermowell
- General purpose or weatherproof enclosure options
- Terminal connection eliminates need for wire nuts

APPLICATIONS

- Chiller or boiler loops
- Building automation

SPECIFICATIONS

Accuracy: Thermistor temperature sensor: $\pm 0.22^{\circ}\text{C}$ @ 25°C ($\pm 0.4^{\circ}\text{F}$ @ 77°F); RTD temperature sensor DIN Class A: $\pm 0.15^{\circ}\text{C}$ @ 0°C ($\pm 0.28^{\circ}\text{F}$ @ 32°F).

Temperature Limits: Operating: -40 to 302°F (-40 to 150°C).

Sensor Curves: See page reference **•** below.

Housing Material: Meets UL, 94 V-O polycarbonate plastic.

Thermowell Material: 304 SS.

Weight: 5.3 oz (150.3 g).

MODEL CHART								
Example	TE	-ITG	-A	25	4	4	-00	TE-ITG-A2544-00
Series	TE							Duct and immersion building automation temperature sensor
Mounting Configuration		ITG						Immersion in general purpose housing
		ITW						Immersion in NEMA 4X housing
Sensor Type			A					10k Ω type III thermistor
			B					10k Ω type II thermistor
			C					3k Ω thermistor
			D					Pt100 Ω RTD
			E					Pt1000 Ω RTD
			F					20k Ω thermistor
			Q					10k Ω type III with 11k Ω shunt
Probe Length				25				2.5"
				04				4"
				06				6"
				08				8"
				12				12"
				18				18"
Probe Diameter					4			1/4"
Termination						4		4" flying leads terminal block
Fittings							00	None (integral)

THERMOWELLS - WELDED		
Model	Material	Insertion Length
TE-TNS-N253N-00	304 SS	2.5"
TE-TNS-N043N-00	304 SS	4"
TE-TNS-N063N-00	304 SS	6"
TE-TNS-N083N-00	304 SS	8"
TE-TNS-N123N-00	304 SS	12"
TE-TNS-N183N-00	304 SS	18"

• Resistance vs. Temperature Table: See page 234 (Series TE-OND/RND/OSA)