

SSM1A430BD

solid state relay - DIN rail mount - input
4-32Vdc, output 48-660Vac, 30A



Main

| | |
|---------------------------|-------------------|
| Range of product | Zelio Relay |
| Product or component type | Solid state relay |
| Device short name | SSM1 |
| Number of phases | 1 phase |

Complementary

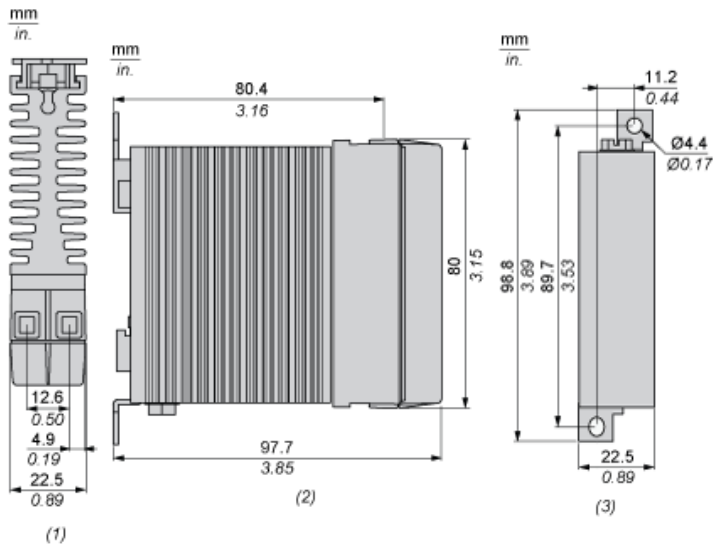
| | |
|-------------------------------------|---|
| Mounting support | Symmetrical DIN rail |
| [In] rated current | 30 A |
| Output voltage | 48...660 V AC |
| Control circuit voltage | 4...32 V DC |
| Contacts type and configuration | 1 NO |
| Tightening torque | 1.36...1.7 N.m for output 0.6...0.7 N.m for input |
| Connections - terminals | Screw terminals : 1 x 0.2...1 x 5.3 mm ² , (AWG 24...AWG 10) for output Screw terminals : 1 x 0.2...1 x 5.3 mm ² , (AWG 24...AWG 10) for input |
| Maximum capacitance | <= 8 pF for input/output |
| Insulation resistance | 1000 MOhm at 500 V DC |
| Local signalling | LED green for input status |
| Switching voltage | 1 V DC turn-off 4 V DC turn-on |
| Input current | 8...12 mA |
| Solid state output type | Zero voltage switching SCR output |
| Load current | 0.15...30 A |
| Transient overvoltage | 1200 V |
| Surge current | <= 1200 A for 16.6 ms |
| Voltage drop | 1.6 V on-state |
| Maximum I ² t for fusing | 6000 A ² .s for 8.3 ms |
| Leakage current | <= 1 mA off-state |
| DV/Dt | 500 V/μs off-state at maximum voltage |
| Response time | 0.5 cycle turn-off 0.5 cycle turn-on |
| Overvoltage category | III |
| Product weight | 0.28 kg |

The information provided in this documentation contains general descriptions and/or technical characteristics of the performance of the products contained herein. This documentation is not intended as a substitute for and is not to be used for determining suitability or reliability of these products for specific user applications. It is the duty of any such user or integrator to perform the appropriate and complete risk analysis, evaluation and testing of the products with respect to the relevant specific application or use thereof. Neither Schneider Electric Industries SAS nor any of its affiliates or subsidiaries shall be responsible or liable for misuse of the information contained herein.

Environment

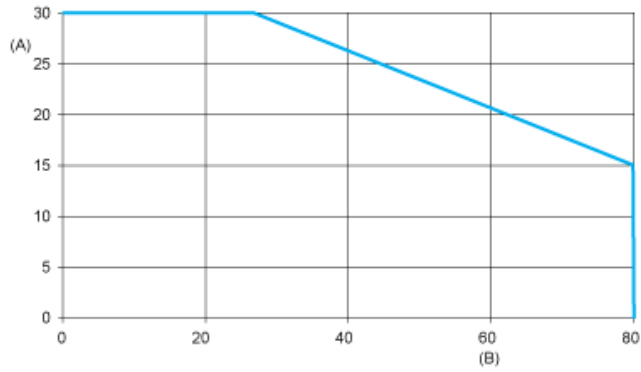
| | |
|---------------------------------------|---|
| Dielectric strength | 4 kV AC for input or output to case 4 kV AC for input/output |
| Pollution degree | 2 |
| Standards | UL 508 IEC 60950-1 CSA C22.2 No 14 |
| Product certifications | CSA UL EAC |
| Marking | CE CSA UL EAC |
| IP degree of protection | IP20 |
| Ambient air temperature for operation | -40...80 °C |
| Ambient air temperature for storage | -40...125 °C |

Dimensions



- (1) Top view
- (2) Side view
- (3) Front view

Derating Curves



A : Load Current (Amperes)
B : Ambient Temperature (°C)