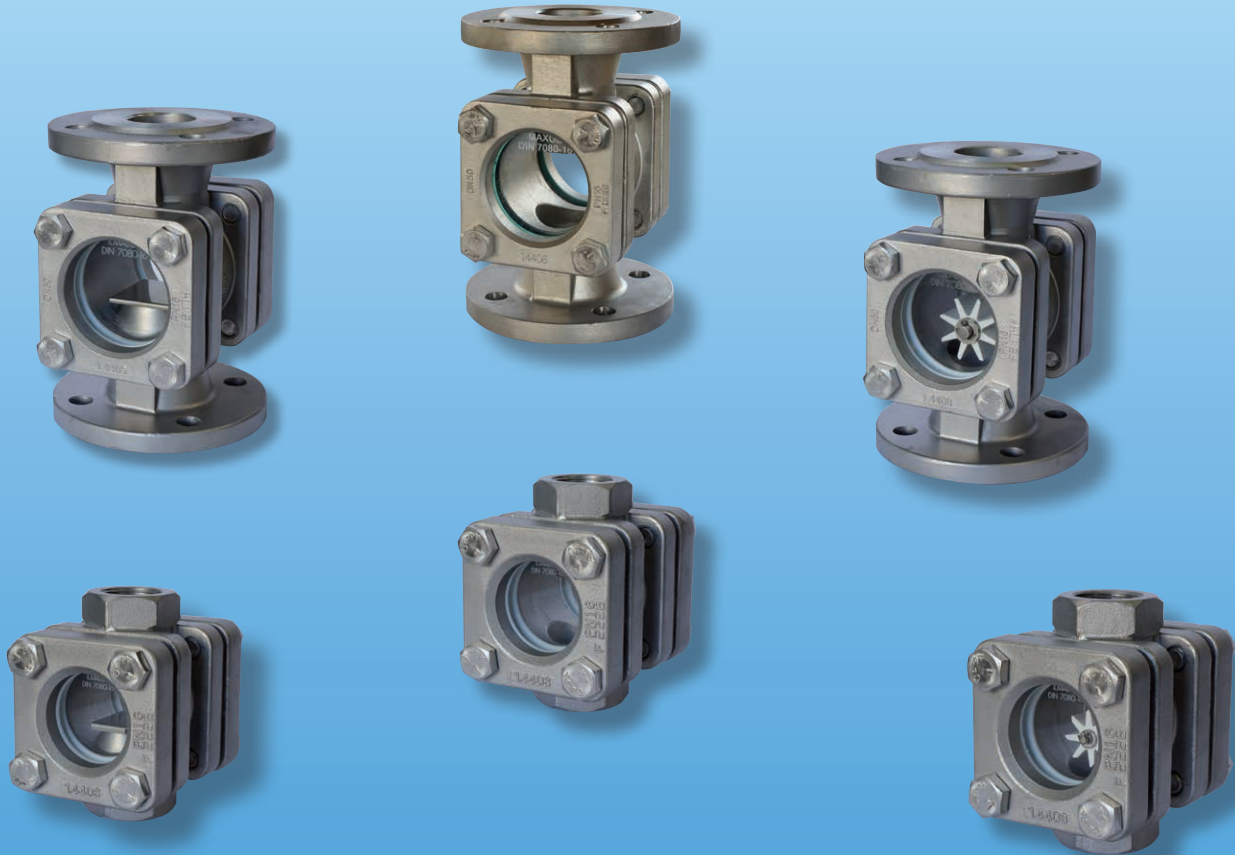


Sight Flow Indicators for Liquids



measuring
•
monitoring
•
analyzing

DA Series



- p_{max} : 230 PSIG (Optional 360 or 580 PSIG)
- t_{max} : 250 or 300 °F, Depending on Model (Optional 530 °F)
- Connections: 1/4" ... 2" NPT, 1/2" ... 8" ANSI Flange
- Material: Cast Iron, Cast Steel, or Stainless Steel
- Graphite Seals



KOBOLD companies worldwide:

AUSTRALIA, AUSTRIA, BELGIUM, BULGARIA, CANADA, CHINA, CZECHIA, FRANCE, GERMANY, GREAT BRITAIN, HUNGARY, INDIA, INDONESIA, ITALY, MALAYSIA, MEXICO, NETHERLANDS, PERU, POLAND, REPUBLIC OF KOREA, RUSSIA, SPAIN, SWITZERLAND, THAILAND, TUNISIA, TURKEY, USA, VIETNAM

KOBOLD Instruments, Inc.
1801 Parkway View Drive
Pittsburgh, PA 15205
Main Office:
1.800.998.1020
1.412.788.4890
info@koboldusa.com
www.koboldusa.com



Flow Indicator Models DAK, DAT, DAR

Models, Materials, and Mounting Positions

Model DAK with Flap Indication

Component	DAK-21..	DAK-12../22..	DAK-13../23..
Flap	316-Ti Stainless Steel		
Housing	Grey cast iron GG 25 (EN-GJL-250) 0.6025	316 Stainless Steel (1.4408)	Cast Steel GS-C 25 1.0619
Cover Plates	Grey Cast Iron GG 25/S235JRG2	316 SS (1.4408) ¹⁾ 316 SS 1.4408/1.4301 ²⁾	Cast Steel GS-C 25 1.0619 ³⁾ Cast Steel GS-C 25/ S235JRG2 ⁴⁾
Sight Glass	Soda-Lime Glass DIN 8902 (up to 300 °F, 230 PSI max) Optional Borosilicate Glass DIN 7080 (up to 530 °F max)		
Screws	Zinc-plated Steel	Stainless Steel	Zinc-plated Steel
Seals	Graphite (Others upon Request)		
Mounting Position	Horizontal or Vertical with Flow from Bottom to Top		
Operating Pressure:	230 PSIG max (Optional 360 PSIG or 580 PSIG, not for DAK-21..)		

¹⁾ For Model DAK-12.. ²⁾ For Model DAK-22.. ³⁾ For Model DAK-13.. ⁴⁾ For Model DAK-23..



Model DAR with Rotor Indication

Component	DAR-21..	DAR-12../22..	DAR-13../23..
Rotor:	Plastic (up to 250 °F) or Option "R" PTFE up to 500 °F (Nominal Size 2" and above: PTFE Standard)		
Housing:	Grey cast iron GG 25 (EN-GJL-250) 0.6025	316 Stainless Steel (1.4408)	Cast Steel GS-C 25 1.0619
Cover Plates:	Grey Cast Iron GG 25/S235JRG2	316 SS (1.4408) ¹⁾ 316 SS 1.4408/1.4301 ²⁾	Cast Steel GS-C 25 1.0619 ³⁾ Cast Steel GS-C 25/ S235JRG2 ⁴⁾
Sight Glass:	Soda-Lime Glass DIN 8902 (up to 250 °F, 230 PSI max) Optional Borosilicate Glass & PTFE Rotor DIN 7080 (up to 500 °F max)		
Screws:	Zinc plated Steel	Stainless Steel	Zinc-plated Steel
Sealing:	Graphite (Others on Request)		
Mounting Position:	Universal		
Operating Pressure:	230 PSIG max (Optional 360 PSIG or 580 PSIG, not for DAR-21..)		
Flow Speed	2.5 m/s		

¹⁾ For Model DAR-12.. ²⁾ For Model DAR-22.. ³⁾ For Model DAR-13.. ⁴⁾ For Model DAR-23..



Model DAT with Drip Indication

Component	DAT-21..	DAT-12../22..	DAT-13../23..
Housing ⁵⁾ :	Grey cast iron GG 25 (EN-GJL-250) 0.6025	316 Stainless Steel (1.4408)	Cast Steel GS-C 25 1.0619
Cover Plates:	Grey Cast Iron GG 25/S235JRG2	316 SS (1.4408) ¹⁾ 316 SS 1.4408/1.4301 ²⁾	Cast Steel GS-C 25 1.0619 ³⁾ Cast Steel GS-C 25/ S235JRG2 ⁴⁾
Sight Glass:	Soda-Lime Glass DIN 8902 (up to 300 °F, 230 PSI max) Optional Borosilicate Glass DIN 7080 (up to 530 °F max)		
Screws:	Zinc-plated	Stainless Steel	Zinc-plated Steel
Seals:	Graphite (Others on Request)		
Mounting Position:	Any Position, Preferably Vertical, Flow from Top		
Operating Pressure:	230 PSIG max (Optional 360 PSIG or 580 PSIG, not for DAT-21..)		

¹⁾ For Model DAT-12.. ²⁾ For Model DAT-22.. ³⁾ For Model DAT-13.. ⁴⁾ For Model DAT-23..

⁵⁾ Threaded connections up to 1/2": inlet with half face plate; all others: drip tube





Order Details: Threaded Connections (Example: **DAK-1201H N08**)

Type of Indication	Body Material	Nominal Size	Connection (NPT)	Options
DAK-1.. = Flap	..2.. = Stainless Steel	..01H.. = 1/4"	..N08	..B = Borosilicate Glass, 230 PSIG max ..P = Borosilicate Glass, 360 PSIG max ..Q = Borosilicate Glass, 580 PSIG max ..R ¹⁾ = PTFE Rotor
		..02H.. = 3/8"	..N10	
..03H.. = 1/2"		..N15		
DAR-1.. = Rotor		..04H.. = 3/4"	..N20	
	..05H.. = 1"	..N25		
DAT-1.. = Drip Tube	..3.. = Cast Steel	..06H.. = 1-1/4"	..N32	
		..07H.. = 1-1/2"	..N40	
		..08H ²⁾ .. = 2"	..N50	

¹⁾ Only for model DAR, not for models DAK or DAT.
²⁾ Model DAR with nominal size 2" comes standard with PTFE rotor.

Order Details: Flange Connections (Example: **DAK-2201H A15**)

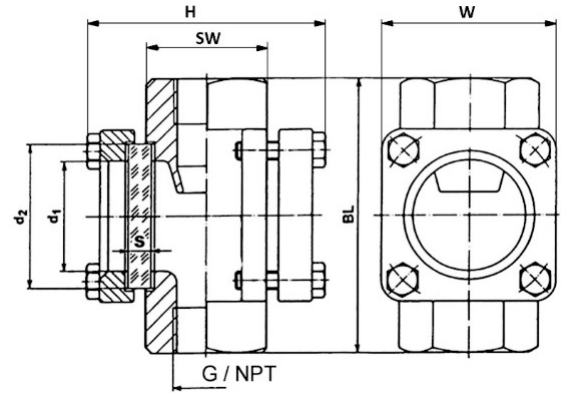
Type of Indication	Body Material	Nominal Diameter	Connection ANSI Flange (Class 150 lb)	Options
DAK-2.. = Flap	..1 ³⁾ .. = Cast Iron	..01H.. = 1/2"	..A15	..B = Borosilicate Glass, 230 PSIG max (Class 150 lb) ..P = Borosilicate Glass, 360 PSIG max (Class 300 lb) for Stainless Steel or Cast Steel Bodies Only ..Q = Borosilicate Glass, 580 PSIG max (Class 300 lb) for Stainless Steel or Cast Steel Bodies Only ..R ¹⁾ = PTFE Rotor
		..02H.. = 3/4"	..A20	
		..03H.. = 1"	..A25	
DAR-2 ²⁾ .. = Rotor		..04H.. = 1-1/4"	..A32	
		..05H.. = 1-1/2"	..A40	
DAT-2.. = Drip Tube	..2.. = Stainless Steel	..06H.. = 2"	..A50	
		..07H.. = 2-1/2"	..A65	
		..08H.. = 3"	..A80	
		..3.. = Cast Steel	..09H ⁶⁾ .. = 4"	..A1H
			..10H ⁵⁾⁶⁾ .. = 5"	..A1Z
..11H ⁴⁾⁵⁾⁶⁾ .. = 6"			..A1F	
..12H ⁴⁾⁵⁾⁶⁾ .. = 8"		..A2H		

¹⁾ Only for model DAR, not for models DAK or DAT
²⁾ Model DAR with nominal diameter 2" and above come standard with PTFE rotor.
³⁾ Options "P" and "Q" (300 lb ANSI Flange) are not available for Cast Iron Models
⁴⁾ Models come standard with Borosilicate Glass
⁵⁾ Not available with Option "P", 360 PSIG only possible for 4" and under
⁶⁾ Not available with Option "Q", 580 PSIG only possible for 3" and under



**Dimensions for Models with a Threaded Connection:
for Pressure Rating 230 PSIG (360/580 PSIG on Request)**

NPT	BL	H	SW	W	d1	d2	Glass Thickness (S) 230 PSIG	Approx. Weight
1/4" 3/8" 1/2"	3.94"	4.33"	1.42"	2.76"	1.26"	1.77"	0.39"	4.85 lbs
3/4"	4.73"	4.72"	1.81"	3.35"	1.89"	2.48"	0.39"	7.50 lbs
1"	4.73"	4.72"	1.81"	3.35"	1.89"	2.48"	0.39"	7.50 lbs
1-1/4"	6.30"	6.10"	2.95"	4.33"	2.56"	3.15"	0.47"	15.43 lbs
1-1/2"	6.30"	6.10"	2.95"	4.33"	2.56"	3.15"	0.47"	15.43 lbs
2"	9.06"	7.09"	3.54"	4.72"	3.15"	3.94"	0.59"	22.49 lbs



Dimensions for Pressure Rating According to ANSI 150/300 lbs

Size	H	W	D		BL	d1	d2	Glass Plate S		Approx. Weight (150 lb***)	
			150 lbs	300 lbs				150 lb	300 lb	DAx-21..	DAx-22../23..
			1/2"	3.74"				2.76"	3.50"	3.75"	5.12"
3/4"	3.74"	2.76"	3.86"	4.62"	5.91"	1.26"	1.77"	0.39"	0.39"	8.82 lbs	8.82 lbs
1"	4.53"	3.35"	4.25"	4.87"	6.30"	1.89"	2.48"	0.39"	0.59"	13.23 lbs	13.89 lbs
1-1/4"	4.53"	3.35"	4.65"	5.25"	7.09"	1.89"	2.48"	0.39"	0.59"	15.43 lbs	16.32 lbs
1-1/2"	5.32"	4.33"	5.0"	6.13"	7.87"	2.56"	3.15"	0.47"	0.79"	22.05 lbs	23.37 lbs
2"	6.30"	4.73"	5.98"	6.50"	9.06"	3.15"	3.94"	0.59"	0.98"	29.10 lbs	31.75 lbs
2-1/2"	7.28"	6.90"	7.01"	7.50"	11.42"	3.15"	3.94"	0.59"	0.98"	48.72 lbs	52.91 lbs
3"	8.27"	7.48"	7.52"	8.25"	12.20"	3.94"	4.92"	0.79"	1.18"	65.92 lbs	69.67 lbs
4"	9.84"	8.27"	8.98" *	10.00"	13.78"	4.92"	5.91"	0.98"	-	84.66 lbs	91.93 lbs
5"	10.43"	9.25"	10.00" *	11.00"	15.75"	5.91"	6.89"	0.98"	-	103.62 lbs	104.94 lbs
6"	11.42"	10.24"	10.98"	12.50"	18.90"	6.89"	7.87"	1.18" **	-	130.07 lbs	149.03 lbs
8"	14.17"	11.22"	13.50" *	15.00"	23.62"	6.89"	7.87"	1.18" **	-	216.05 lbs	260.15 lbs

* Cast Iron versions diameter D according to DIN

** Borosilicate glass only as standard

*** 300 lb weights upon request

