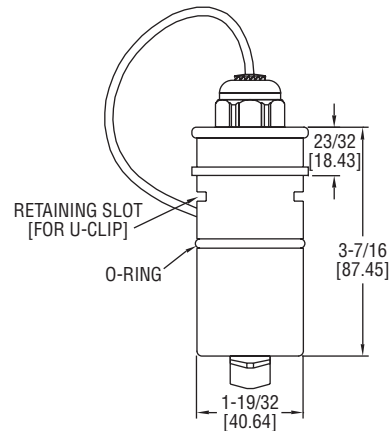


PADDLEWHEEL FLOW SENSOR

Low Friction Bearings, Long Life



Scan here to watch product video

The **SERIES PDWS** Insertion Paddlewheel Flowmeters are designed for pipe size ranges from 1/2 to 8" with available materials of brass, stainless steel, PVC, and polypropylene. The Series PDWS is intended to be used with the Series PWF, a wide variety of custom tee, saddle, or welded fittings that come in bronze, PVC, and stainless steel.

FEATURES/BENEFITS

- The bearings are made from ruby jewel to reduce the coefficient of friction and maintain high accuracy
- PVC and polypropylene body material offers resistance against corrosive media

APPLICATIONS

- Industrial water & wastewater treatment
- Cooling water monitoring
- Industrial fluid control
- Chemical proportioning
- Fluctuating fluid conductivity applications

SPECIFICATIONS

Service: Compatible clean liquids.
Range: 0.3 to 30 ft/s (0.09 to 9.14 m/s).
Wetted Materials: Sensor: Brass, 316 SS, PVC, or polypropylene; Rotor: PVDF; Shaft: Nickel-bonded tungsten carbide (ceramic optional); Bearings: Ruby jewel; O-ring: EPDM (fluoroelastomer optional).
Accuracy: ±1.5% FS.
Temperature Limits: Brass, 316 SS: 200°F (93°C); PVC, Polypropylene: 130°F (55°C).
Pressure Limits: Brass: 200 psi (14 bar); 316 SS: 250 psi (17 bar); PVC, polypropylene: 175 psi (12 bar) @ 75°F (24°C); High pressure option: 400 psi (28 bar) (SS only).
Process Connection: See page reference below.
Output: Current sinking, square wave pulse, opto-isolated.
Power Requirements: 6 to 24 VDC, 2 mA (max. 20 mA).
Electrical Connection: #22 AWG, 3 conductor, 18' (5.5 m) cable (max. 2000' run).
Enclosure Rating: NEMA 4X (IP66).
Weight: 2 lb (907 g).

MODEL CHART				
Example	PDWS	-1B	-CRS	PDWS-1B-CRS
Series	PDWS			Insertion paddlewheel flow sensor
Size/ Material		1B		1/2 to 3", brass
		1S		1/2 to 3", 316 SS
		1P		1/2 to 3", PVC
		1Y		1/2 to 3", polypropylene
		2B		4 to 8", brass
		2S		4 to 8", 316 SS
		2P		4 to 8", PVC
		2Y		4 to 8", polypropylene
Options			CRS	Ceramic shaft
			IMM	Immersible (urethane potted electrical connection)
			FOR	Fluoroelastomer O-ring
			HPO	High pressure options (Use with SS only)

Note: Need to purchase with Series PWF fitting for proper installation.

ACCESSORIES	
Series	Description
BAT	Blind analog transmitter; converts pulse output to 4 to 20 mA analog output; unit is loop powered, fits on the enclosure of the meter, and is field spannable.
RTI	Rate total indicator; converts pulse output to 4 to 20 mA analog output with local flow rate and totalization display; unit is loop powered, can fit on the enclosure of the meter, and provides a high/low flow alarm.
PWD	Pulse divider, for use with pacing electronic metering pumps; unit divides the input frequency to any number from 1 to 9999 with the use of rotary switches to suit a number of metering pump inputs (See website).

● Process Connection: See page 170 (Series PWF)