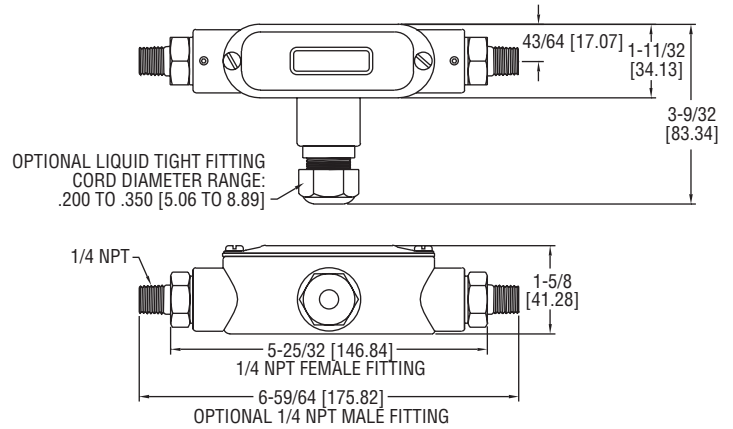




WET/WET DIFFERENTIAL PRESSURE TRANSMITTER

0.5% Accuracy, NEMA 4X (IP66) Enclosure



The **SERIES 629** Differential Pressure Transmitter monitors differential pressure of air and compatible gases and liquids with 0.5% accuracy. The design employs dual pressure sensors converting pressure changes into a standard 4 to 20 mA output signal for two wire circuits. Small internal volume and minimum moving parts result in exceptional response and reliability. Terminal block, zero and span adjustments are easily accessed under the top cover. The Series 629 Differential Pressure Transmitter is designed to meet NEMA 4X (IP66) construction.

FEATURES/BENEFITS

- Versatile, high-accuracy device for liquid or gas supports designs requiring more precise measurements in support of application
- Minimum components provide excellent response and reliability
- Span and zero controls reduce installation and service time
- Terminal block reduces wiring difficulties saving installation time
- Optional LED indicator provides local status to identify operational conditions.
- Optional 3-way valve manifold supports higher line pressures or simplifying removal of transmitter without interrupting process

APPLICATIONS

- Flow elements
- Heat exchangers
- Filters
- Coils
- Chiller
- Pumps

MODEL CHART - Standard			
Model	Range	Pressure Limits	
		Working* Pressure	Over Pressure
629-02-CH-P2-E5-S1	10 psid	20 psi	100 psi
629-03-CH-P2-E5-S1	25 psid	50 psi	250 psi
629-04-CH-P2-E5-S1	50 psid	100 psi	250 psi
629-05-CH-P2-E5-S1	100 psid	200 psi	500 psi

*Pressures exceeding the working pressure limit may cause a calibration shift of up to ±3% of full scale.

MODEL CHART - 3-Way Valve Manifold Assembly			
Model	Range	Pressure Limits	
		Working* Pressure	Over Pressure
629-02-CH-P2-E5-S1-3V	10 psid	20 psi	100 psi
629-03-CH-P2-E5-S1-3V	25 psid	50 psi	100 psi
629-04-CH-P2-E5-S1-3V	50 psid	100 psi	100 psi
629-05-CH-P2-E5-S1-3V	100 psid	100 psi	100 psi

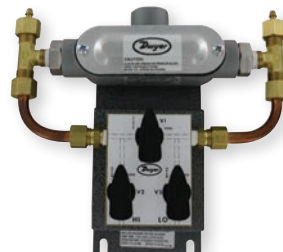
*Pressures exceeding the working pressure limit may cause a calibration shift of up to ±3% of full scale.

OPTIONS	
To order add suffix:	Description
-LED	4.5 digit LED display
-NIST	NIST traceable calibration certificate

ACCESSORIES	
Model	Description
A-131A	3-way brass manifold valve
641-LED	Field-upgradeable LED
A-155	Cable gland with 1/2" NPT male
BBV-1B	Mini SS 3-valve block manifold
A-228	12" SS flex hose

SPECIFICATIONS

Service: Compatible gases & liquids.
Wetted Materials: Without valve: 316, 316L SS. Additional wetted parts with 3-way valve option: Buna-N, silicone grease, PTFE, brass 360, copper, reinforced acetal copolymer.
Accuracy: ±0.5% FS (includes linearity, hysteresis & repeatability).
Temperature Limits: 0 to 200°F (-18 to 93°C).
Compensated Temperature Limits: 0 to 175°F (-18 to 79°C).
Pressure Limits: See chart.
Thermal Effect: 0.02%/°F (0.036%/°C) includes zero & span.
Power Requirements: 13 to 30 VDC (2-wire).
Output Signal: 4 to 20 mA. Optional 0 to 5, 0 to 10 VDC.
Response Time: 50 ms.
Loop Resistance: 0 to 1300 Ω maximum for current output. For voltage outputs, minimum load resistance: 2000 Ω.
Electrical Connections: Terminal block; 1/2" female NPT conduit.
Process Connections: 1/4" female NPT.
Enclosure Rating: Designed to meet NEMA 4X (IP66).
Mounting Orientation: Not position sensitive.
Weight: 10.1 oz (286 g).
Agency Approvals: CE.



3-way valve assembly with integral bleed screws



629 shown with optional red LED and cable gland