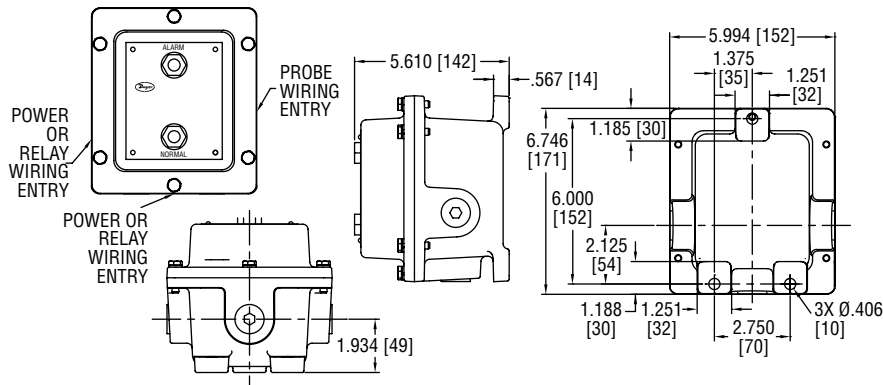


TILT SWITCH CONTROL UNIT

Adjustable Time Delay



The **MODEL LTC2** Tilt Switch Control Units offers a complete level control solution when used with a tilt switch probe such as the Series LTS. It offers a DPDT switch output as well as indicator lights to provide visual and output control of the level probe status.

FEATURES/BENEFITS

- Adjustable time delay feature may be assigned to either the vertical or the tilt position to prevent false signals
- Logic selector switch determines when the output relay actuates and de actuates, thus while in position one, the relay is energized when the probe is in the vertical position and de-energizes when the probe is in the tilted position, and while in position two, the actions are opposite
- Relay assumes the de-energized position upon reaching the end of the delay period as well as upon failure of power to the controller

APPLICATIONS

- Large hoppers
- Silos
- Crushers
- Trippers
- Stackers
- Conveyors

SPECIFICATIONS

Temperature Limit: -4 to 104°F (-20 to 40°C).

Power Requirements: 115 VAC @ 50/60 Hz.

Power Consumption: 10W.

Switch Type: DPDT.

Electrical Rating: 5 A @ 120 VAC; 5 A @ 240 VAC.

Enclosure: Cast aluminum.

Enclosure Rating: None or NEMA 4, 4X.

Electrical Connections: No suffix: 120 VAC; B suffix: 240 VAC.

Conduit Connections: 3/4 NPT: 2 power/relay & 1 probe.

Indicator Light: Green (when relay is energized and probe vertical); Red (when relay is de-energized and probe tilted), LED lamps.

Time Delay: 0.1 to 35 sec; Adjustment will delay output relay action.

MODEL CHART

Model	Enclosure
LTC2	NEMA 4X