

## Slide valves

### Types 4111/4115

Slide valves Type 4111 (normally closed) and 4115 (normally open) are pilot-operated, three port, two position valves with a spring-return action. A major feature of the valve design is elimination of the continuous leakage which is characteristic of conventional lapped-face spool valves. The valve incorporates special high pressure seals which prevent leakage and so render the valves suitable for use with many fluid media.

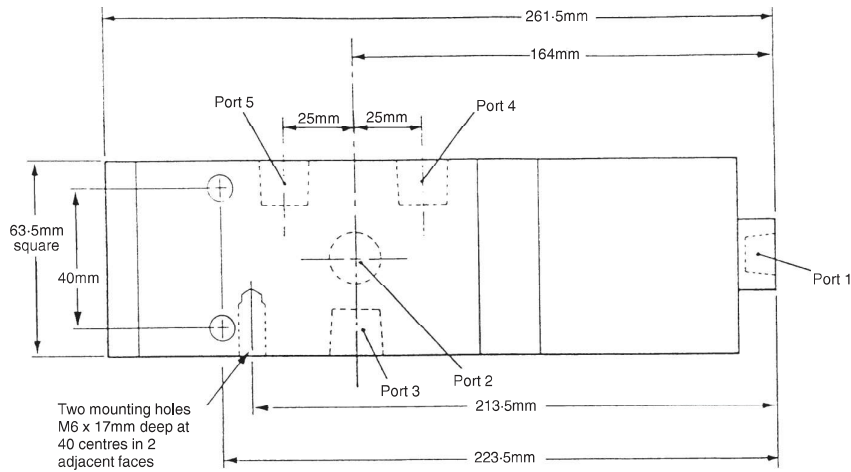
The valve slide (which can be supplied either normally closed or normally open) has a 'block before bleed' action. In a normally closed valve, for example, this means that the tank port is isolated before pressure and service ports are interconnected.

Construction materials, predominantly 316 stainless steel and CA104 aluminium bronze with seals of fluoroelastomers and PTFE materials, ensure high corrosion resistance and comply with NACE Standard MR-01-75 (latest revision as applicable).

The valve body has a fourth connection (port 2) for a pressure gauge. If this port is not used, it must be sealed with a 3/8" NPT plug (not supplied with the valve).

### Operating parameters

<b>Working pressure</b>	690 bar (10,000 psi) max.
<b>Pilot pressure</b>	4.5 to 17.2 bar (65 to 250 psi).
<b>Operating media – main slide</b>	Mineral oils, water, water-glycol mixtures, crude oil and a variety of chemicals.
<b>Operating media – pilot section</b>	Air, H <sub>2</sub> S, bottled gases or any of the main slide media above.
<b>Leakage</b>	None.
<b>Recommended filtration</b>	25 micron.
<b>Connections</b>	3/8" NPTF
<b>Connections – pilot</b>	1/4" NPTF
<b>Flow rate, nominal</b>	54 litres/min (12 imp galls/min).
<b>Pressure drop</b>	See performance curve.
<b>Working temperature – standard</b>	-20°C to +130°C.

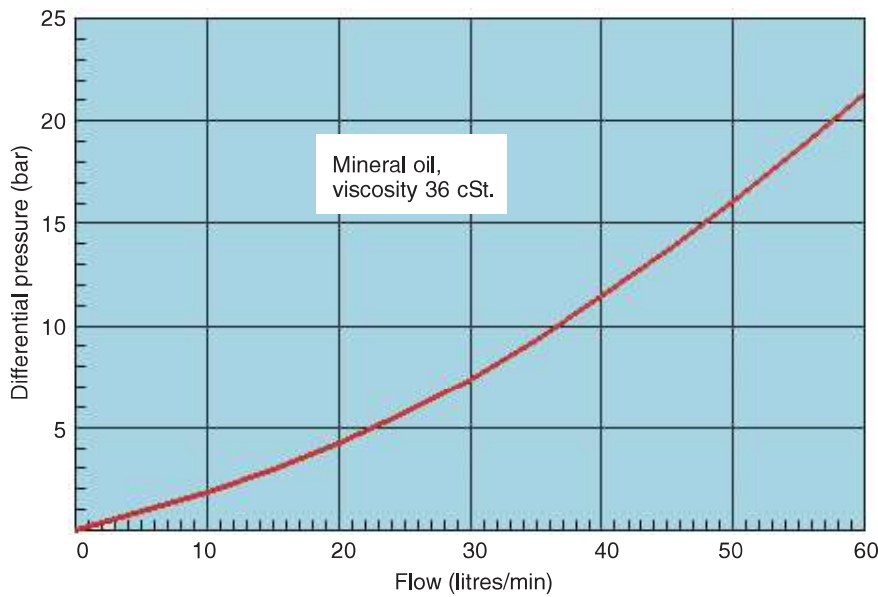


**Drawing giving dimensions**

**Weight:** 6.5kg

Port	Valve 4111	Valve 4115
Port 1	Pilot	Pilot
Port 2	Gauge	Gauge
Port 3	Service	Service
Port 4	Supply	Tank
Port 5	Tank	Supply

**Port assignments**



**Performance curve**



Marshalsea Hydraulics Limited  
 Marshalsea House  
 Venture Way  
 Priorswood Industrial Estate  
 Taunton  
 Somerset TA2 8DE  
 United Kingdom

Tel: 01823 331081  
 (+44 1823 331081)  
 Fax: 01823 323382  
 (+44 1823 323382)

E-mail [info@marshalsea.co.uk](mailto:info@marshalsea.co.uk)

[www.marshalsea.co.uk](http://www.marshalsea.co.uk)