

INSTALLATION, OPERATION AND MAINTENANCE INSTRUCTIONS FOR FAIRCHILD MODEL PLT-8 PANEL LOADING STATION

GENERAL INFORMATION

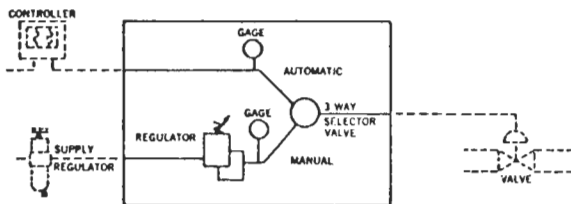
The Model PLT-8 panel loading station furnishes a means of monitoring and manually or automatically controlling supply pressure. Dual gages are supplied and five regulator options are available.

Model PLT-8

PRESSURE REGULATORS

	10	30	64A/65A	81
Flow Capacity (SCFM) 100 psig [7.0 BAR] (700 kPa) supply, 20 psig [1.4 BAR] (140 kPa) set	40	30	22	50
Exhaust Capacity (SCFM) Downstream Pressure 5 psig [.35 BAR] (35 kPa) above set	5½ [.4 BAR] (40 kPa)	2 [.14 BAR] (14 kPa)	1 [.07 BAR] (7kpa)	5½ [.4 BAR] (40 kPa)
Sensitivity	⅛" W.C.	¼" W.C.	1" W.C.	0.1" W.C.
Effect of Supply Pressure Variation psig /100 psig [7.0 BAR] (700 kPa) change	0.1 psig [.007 BAR] (.7 kPa) max	0.2 psig [.014 BAR] (1.4 kPa) max		0.2 psig [.014 BAR] (1.4 kPa) max
psig /25 psig [1.7 BAR] (170 kPa) change			0.1 psig [.007 BAR] (.7 kPa) max	
Supply Pressure	500 psig [35 BAR] (3500 kPa)	250 psig [17.0 BAR] (1700 kPa)		
Ambient temperature °F	-40/+200	-40/+200	-40/+180	-40/+200
Ambient temperature °C	-40/93.3	-40/93.3	-40/83.2	-40/93.3

PRINCIPLES OF OPERATION



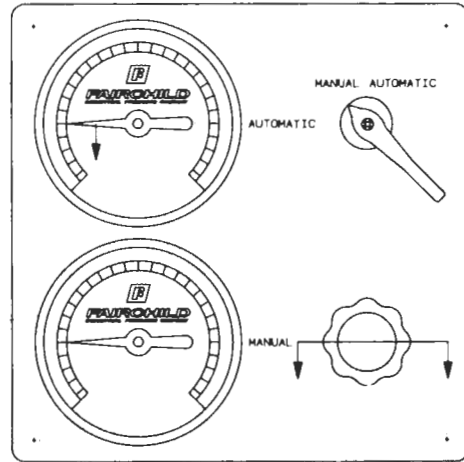
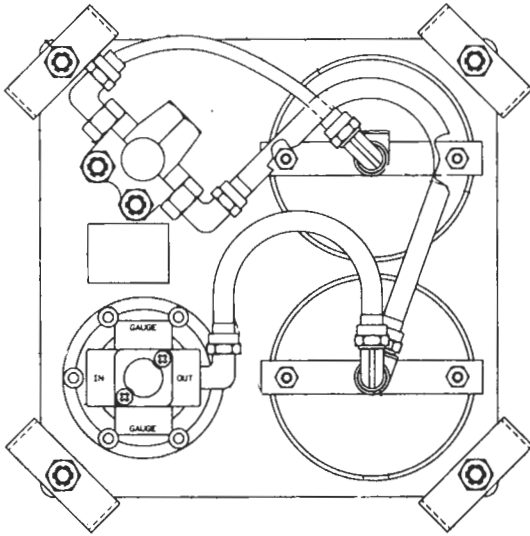
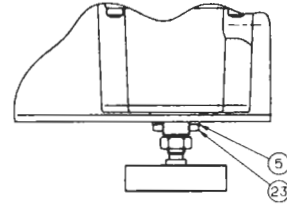
Model PLT-8

Panel Loading Station PLT-8 consists of a standard regulator (one of 5 options) and a standard 3½" gage configured as shown. The three-way valve allows switching the load to a panel-mounted regulator which is manually adjusted or to a Controller external to the panel loading station. In either case, the regulated output to the load is monitored. The user should consult catalog sheets of the Models 10, 30, 64A, 65A or 81 for operation principles of the specific regulator chosen.

Pressure gage contains a standard Bourdon tube for measuring pressure.

INSTALLATION

MODEL PLT-8 PANEL LOADING STATION



Model PLT-8

Inlet to and outlet connecting from the panel loading station are ¼ NPT. The figure below supplies outline dimensions for installation.

Clean all lines to the panel loading station to remove dirt and scale before installation is made. Apply minimum amount of pipe compound to male threads of air line only. Start with third thread back and work away from end of line to avoid possibility of getting compound

into the meter or regulator. Inlet and outlet connections to the regulator are labeled and should be tightened securely. Avoid undersized fittings that will limit flow through the regulator and cause pressure drop down stream.

The use of a filter to remove dirt and entrained liquid in the air line ahead of the regulator is recommended for best performance.

ADJUSTMENTS

No field adjustments are necessary.

OPERATION

Panel loading stations as shipped have regulators set at approximately ½ PSI. The table below indicates the approximate number of turns of the control knob necessary to achieve full pressure range for the specific regulator.

PRESSURE REGULATOR

	10	30	64A/65A
--	----	----	---------

*No. of turns	17	10	16
---------------	----	----	----

*Will vary with pressure range option for each regulator.

MANUAL

Set the MANUAL-AUTO switch to MANUAL. To increase set point pressure, the MANUAL knob is turned in a clockwise direction. For decreased output pressure the screw is turned clockwise. Monitor the pressure on the pressure gage.

AUTOMATIC

Set the MANUAL-AUTO switch to AUTO. Monitor the remote signal pressure on the pressure gage.

MAINTENANCE

See the Installation, Operation, and Maintenance instructions for the specific regulator supplied as part of the Loading Station maintenance instructions.

TROUBLE SHOOTING

Problem	Check
Gage Reading Inaccurate	Gage Pointer
Gage Inoperative	Wear on pinion and sector hair spring.
Leakage	See Installation, Operation and Maintenance Instruction for the specific regulator fittings and line.

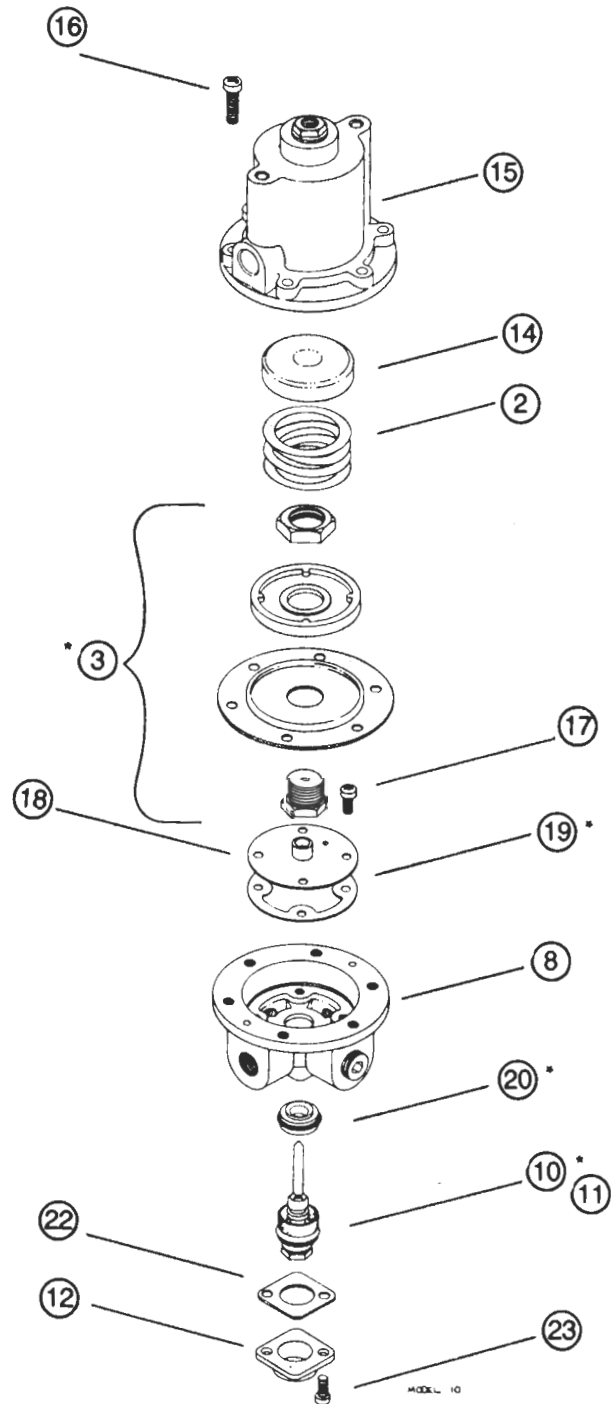
SERVICE KIT INSTALLATION

Model 10 Service Kit

1. Check parts in the EA-12125-1 service kit against the parts marked with an asterisk in the exploded view and the associated table.
2. Mark Body (8) and Bonnet Assembly (15) so that they can be reassembled properly.
3. Remove regulator from panel.
4. Remove six screws (16) holding Bonnet Assembly (15) to Body (8).
5. Remove Body (8), Spring Seat (14), and Spring (2) and set aside.
6. Remove Diaphragm Assembly (3) from Body (8).
7. Remove two Screws (23) holding Retainer Cap (12) to Body (8). Remove Retainer Plate (22).
8. Using a soft material mallet, tap out Inner Valve Assembly (10) from Body (8).
9. Remove four Screws (17) holding Seal Plate Assembly (18) to Body (8).
10. Remove Seal Plate Assembly (18) and set aside. Remove Seal Plate Gasket (19) and discard.
11. Using a wooden dowel rod, tap out the relief Seat (20) from the top side of Body (8) and discard.
12. Secure Relief Seat (20) from the service kit and insert into bottom well of Body (8), shoulder end first, until it is seated in the bottom of the well.
13. Secure Seal Plate Gasket (19) from service kit and align the Gasket (19) so that the indents for hole clearance are clear of the holes in the Body.
14. Place Seal Plate Assembly (18) into top of Body (8) so that the aspirator tube extends into the cutout in the Body (8) directly opposite the OUT port. Secure Seal Plate Assembly (18) to Body (8) using four screws (17).
15. Secure Inner Valve Assembly (10) from the service kit and insert it into the bottom well of Body (8). Tap in place so that the inner Valve Assembly (10) is seated. Place Retainer Plate (22) on Body (8) so that the holes in the Plate (22) are aligned with holes in the Body (8). Place Retainer Cover (12) over the Inner Valve Assembly (10) and secure to Body (8) with two screws (23).
16. Secure Diaphragm Assembly (3) from the service kit and align six holes in Diaphragm Assembly (3) with holes in the Body (8).
17. Place Spring (2) in well on the Diaphragm Assembly (3). Place spring seat (14) on top of the Spring (2).
18. Place Bonnet Assembly (15) on the Body (8) with exhaust port in Bonnet directly above OUT port in Body so that the marks placed on Body (8) and Bonnet Assembly (15) in Step 2 coincide. Fasten Bonnet Assembly (15) to Body (8) with six screws (16).
19. Reinstall the regulator in accord with installation Instructions in the IOM and follow instructions in the operating section for placing the regulator back in service.

Index	Part No.	Description
	2	EB-6060- Spring
	*3 †	EB-6091-1 Diaphragm Assembly
	8	EB-14745 Body Assembly
	*10 †	EB-1820 Inner Valve Assembly
	*11 †	EB-7156 O-Ring
	12	EB-7136 Retainer Cap
	14	EB-6058 Spring Seat
	15	EB-9457-1 Bonnet Assembly
	16	EB-1032-12 Screw
	17	EB-1032-5 Screw
	18	EB-1948- Seal Plate Assembly
	*19 †	EB-6053 Gasket
	*20 †	EB-6070 Seat Ring
	22	EB-6027 Retainer Plate
	23	EB-1032-5 Screw
	24	EB-6097- Nameplate

*EA-12125-1 Service Kit Components



SERVICE KIT INSTALLATION

Model 30 Service Kit

NOTE: PRODUCT IMPROVEMENT CHANGES HAVE BEEN INCORPORATED IN THE REGULATOR. AS A RESULT, KIT PARTS MAY NOT LOOK EXACTLY LIKE THE PARTS WHICH THEY WILL REPLACE. IN ORDER FOR THE REGULATOR TO PERFORM PROPERLY, ALL PARTS IN THE KIT MUST BE UTILIZED.

1. Check parts in the EB-16116 service kit against the parts marked with an asterisk in the exploded view and the associated table.
2. Mark bonnet (2) and body (10) so they can be reassembled properly. Remove four screws (3) holding bonnet (2) to body (10).
3. Set aside bonnet (2), range spring washer (4) and range spring (5).
4. Remove diaphragm assembly (6) and discard.
5. Remove four screws (7) holding seal plate (8) to body (10).
6. Remove two screws (16) holding retainer plate (14) and cup (15) to body (10).
7. Remove retainer plate (14), cup (15), inner valve assembly (13) and screen (12).
8. Remove seal plate assembly (8) from body (10) and discard.

NOTE: It will be necessary to lift and twist the plate in order to remove it. Make sure that the aspirator is not damaged in the process of removal.

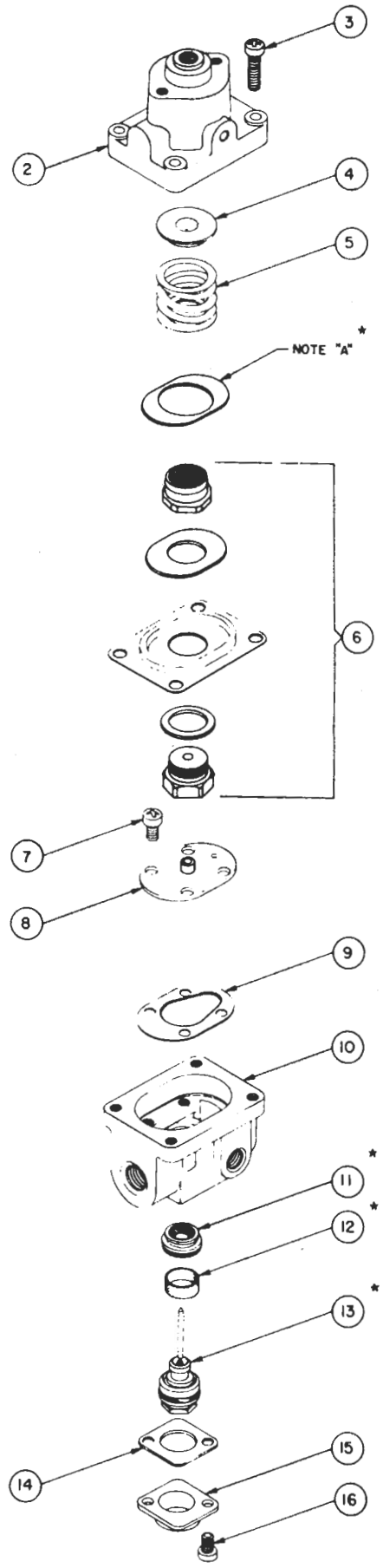
9. Remove seal plate gasket (9) from body (10) and discard.
10. Using a suitable dowel rod, tap out the seat ring assembly (11) from body (10) and discard.
11. Secure seat ring assembly (11) from service kit and drop into bottom hole in the body (10), brass end first. Insure that it is seated against the shoulder in body (10).

12. Secure seal plate gasket (9) from service kit and place in body (10), narrow end of hole over the port in the body (10) marked with an arrow going out of body.
13. Using four screws (7) secure new seal plate (8) to body (10) with aspirator extending into port identified in step 12.
14. Place filter screen (12) from service kit in the groove in inner valve assembly (13) from service kit. Insert the assembly into the hole in the bottom of the body (10), aligning pintle of the inner valve assembly (13) so that it drops in to seal plate (8) center tube.
15. Tap inner valve assembly (13) so that the brass shoulder is flush with the bottom of the body (10). Place retainer plate (14) over the inner valve assembly (13) aligning it with holes in the body (10).
16. Place retainer cap (15) over the retainer plate (14) and secure to body (10) with two screws (16).
17. Secure diaphragm assembly (6) from service kit and place on body (10) so that the oval cup faces up and the four holes in the diaphragm assembly (6) are aligned with holes in the body (10). See Note A.

CAUTION: Make sure that the hole in the center of diaphragm assembly (6) is directly over the inner valve assembly (13) pintle.

18. Set range spring (5) over the nut on top of diaphragm assembly (6) and set spring cup (4) on top of the range spring (5), range screw recess facing up. Place some Molykote grease in the recess.
19. Place bonnet (2), over body (10) making sure that marks from step 3 are aligned.
20. Using four screws (3), secure bonnet (2) to body (10).
21. Reinstall the regulator in accord with installation instructions in the IOM and follow instructions in the operators section for placing the regulator back in service.

Index	Part No.	Description
2	EB-9456	Bonnet
3	EB-1032-12	Screw
4	EB-7145	Spring Seat
5	EB7141-()	Spring
*6	EB-15838-1	Control Diaphragm Assy
*6 A	EB-16122-1	Gasket
7	EB-1032-5	Screw
8	EB-15884-1-	Seal Plate Assembly
*9	EB-15844-1	Gasket
10	EB-15614-1	Body
*11	EB-6088-1	Seat
*12	EB-6017	Screen
*13	EB-1820	Inner Valve Assembly
14	EB-6027	Retainer Plate
15	EB-7136	Retainer Cap
16	EB-1032-6	Screw
*EB-16116- Service Kit Components		



NOTE A:
 GASKET TO BE APPLIED (IF REQ'D) TO PISTON AT
 TOP OF DIAPHRAGM ASSEMBLY. USE ONLY WITH
 MODEL 30 UNITS HAVING OLD STYLE BONNETS.

SERVICE KIT INSTALLATION

Model 64A and 65A Service Kit

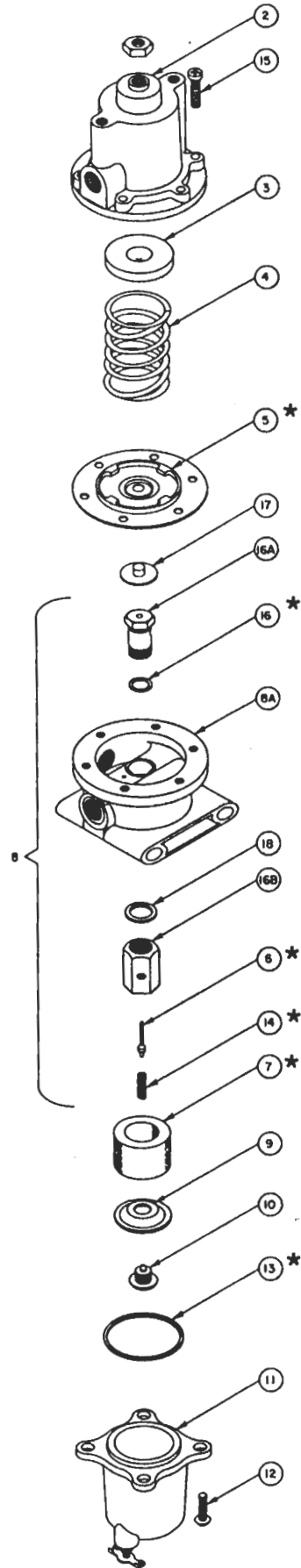
1. Check parts in the EA-1613 ()-() kit against the parts marked with an asterisk in the exploded view and the associated table.
2. Remove regulator from panel. Mark Body Assembly (8), Bonnet Assembly (2) and Dripwell Assembly (11) so that they can be reassembled. Remove six Screws (15) holding Bonnet Assembly (2) to Body Assembly (8).
3. Remove Bonnet Assembly (2), Spring Seat (3) and Spring (4) and set aside.
4. Remove Diaphragm Assembly (5) from Body Assembly (8).
5. Remove Relief Seat (17) and set aside.
6. Remove four Screws (12) holding Dripwell Assembly (11) to Body Assembly (8). Remove Dripwell Assembly (11) and set aside. Remove O Ring (13) from Body Assembly (8).
7. Remove Screw (10) holding Filter Element (7) in Body Assembly (8). Set aside Filter Retainer (9), Filter Element (7), Spring (14) and Pintle (6).
8. Unscrew Seat Extension (16B) and set aside.
9. Turn Body Assembly (8) so that the bottom well is facing up. Press out Seat (16A) and remove O Ring (18).
10. Using O Ring from the kit, replace the Ring (16) on the Seat (16A). Orient the Body Assembly (8) so that the hexagonal cutout is facing up. Place Seat (16A) into the cutout making sure that the hole in Seat (16A) is aligned with the hole in the OUT port.
11. Orient the Body Assembly (8) so that the Filter (7) well is facing up. Place O Ring (18) from kit over the bottom of Seat (16A) so that it fits into the O Ring well around the Seat.
12. Screw the Seat Extension (16B) on the Seat (16A).
13. Secure Pintle (6) and Spring (14) from service kit.
14. Insert Pintle (6), long end first, pintle Spring (14) into Seat Extension (16B).
15. Place Filter Element (7) into Body Assembly (8) and secure with Filter Retainer (9) and Screw (10) to one side of filter chamber to fit body hole.
16. Place O Ring (13) from kit in the cutout in Body Assembly (8).
17. Using four Screws (12) attach Dripwell Assembly (11) to Body Assembly (8) making sure that marks on the Dripwell Assembly (11) and Body Assembly (8) made in Step 1 coincide.
18. Orient assembly in Step 17 so that Pintle (6) end is facing up.
19. Place Relief Seat (17) set aside in Step 5 on Pintle (6).
20. Place Diaphragm Assembly (5) from kit with Spring Seat facing up, over the Relief Seat (17) so that it extends through the center hole of the Diaphragm Assembly (5) and the six holes in Diaphragm Assembly (5) are aligned with six holes in Body Assembly (8).
21. Place Spring (4) on the Spring Seat in the Diaphragm Assembly (5). Place Spring Seat (3), cup end down, on top of Spring (4).
22. Place Bonnet Assembly (2) on Body Assembly (8) so that the six holes on Body Assembly (8) are aligned with six holes in the Diaphragm Assembly (5) and marks made on the Assemblies in Step 2 are aligned. Attach with six Screws (15).
23. Reinstall the Regulator in accordance with installation instructions on the IOM and follow instructions in the operation section for placing the Regulator back in service.

Index	Part No.	Description
2	EB-9457-1	Bonnet Assembly
3	EB-6058	Spring Seat
4	EB-6060	Spring
*5	EB-15940-1	Diaphragm Assembly
*6	EB-3021	Pintle
*7	EB-14203	Filter Element 40 Micron
8	EB-15939-()	Body & Insert Assembly
8A	EB-15943-1	Body
9	EB-9243	Filter Retainer
10	EB-3055	Screw
11	EB-15938-1	Dripwell Assembly
12	EB-15949	Screen
*13	EB-130-030-1-70	O Ring
*14	EB-15951	Spring
15	EB-1032-12	Screw
16	EB-130-012-1-70	O Ring
16A	EB-16080	Seat
16B	EB-16079	Seat Extension
17	EB-13677	Relief Seat
*18	EB-130-112-1-70	O Ring

*EB-16132-1 Service Kit Components

NOTE: Service Kit EA-16133-1 same as above except:

- Delete EA-14203 and
- EB-16129 Tetraseal replaces EB-130-030-1-70 O Ring
- EB-15969-1 replaces EB-15938-1
- EB-16128-1 replaces EA-3055



SERVICE KIT INSTALLATION

Model 81 Service Kit

1. Check parts in the EA-12922 service kit against the parts marked with an asterisk in the exploded view and the associated table.
2. Mark all parts of the regulator, starting from the IN port and working up to the Bonnet (1) to facilitate reassembly. Remove any inserts in the IN and OUT ports.
3. Remove regulator from panel.
4. Remove four screws (2) securing Bonnet (1) to pilot body assembly. Set aside Spring Seat (3A) and Spring (3B).
5. Remove Diaphragm Assembly (4).
6. Loosen six Screws (6) holding Pilot Body Assembly (5) to Body Assembly (12).

WARNING: Spring (9) is under compression. Loosen Screws (6) carefully so that Pilot Body (5) separates from Body Assembly (12).

7. Lift diaphragm and Piston Assembly (8) together with Spacer Ring Assembly (7) away from Body Assembly (12) and set aside.
8. Remove Spring (9) and set aside.
9. Remove four Screws (19) holding Seal Plate Assembly (10) to Body Assembly (12).
10. Remove Gasket (11) from Body Assembly (12).
11. Remove two Screws (18) holding Retainer Cap (17) and Retainer Plate (16) to Body Assembly (12) and set aside Retainer Cap (17) and Retainer Plate (16).
12. Tap out the Inner Valve Assembly (14) and Screen (15) from Body Assembly (12).
13. Using a dowel rod, tap out Ring Seat (13) from Body Assembly (12).
14. Secure Ring Seat (13) from the service kit and insert in the bottom hole of Body Assembly (12), brass end first. Tap with a dowel rod to assure that Ring Seat (13) is seated against the shoulder in Body Assembly (12).
15. Insert Screen (15) from the service kit into the groove in the inner Valve Assembly (14) secured from the service kit. Insert the assembly pintle first into the bottom hole of the Body Assembly (12). Press until brass shoulder is flush with the bottom of Body Assembly (12).
16. Align the holes in the retainer plate (16) with the two holes in the bottom of the Body Assembly (12). Align the holes in Retainer Cap (17) with the holes in the Retainer Plate (16) and secure both to the Body Assembly (12) with two Screws (18).

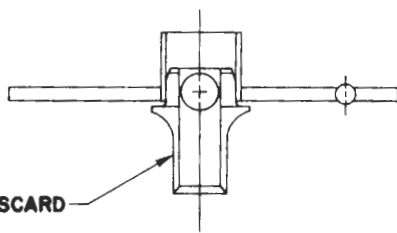
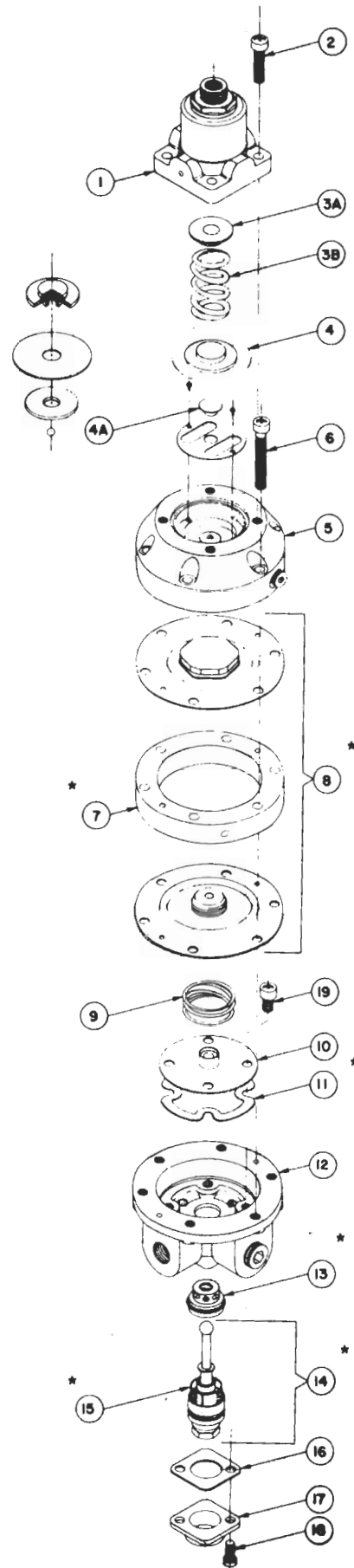
17. Secure Gasket (11) from the service kit and place in Body Assembly (12), aligning four holes in Gasket (11) with holes in Body Assembly (12).
18. If Seal Plate (10) has a jet tube insert (see view A), press the insert (EB-1955) out of the plate and discard it.
19. Place Seal Plate (10) over Gasket (11), brass seal tube facing up, aligning four holes in Seal Plate (10) with holes in Gasket (11). Pintle on the inner Valve Assembly (14) extends through the seal plate tube and the ball bearing in the seal plate is over the OUT port.
20. Fasten Seal Plate (10) to Body Assembly (12) with four Screws (19).
21. Secure diaphragm Assembly (8) and Ring Assembly (7) from service kit. Place Diaphragm Assembly (8) into Ring Assembly (7) (hexagonal nut on orifice side of the ring) so that the diaphragms overlap top and bottom of Ring Assembly (7). Align six screw holes and two passage holes in Diaphragm Assembly (8) with holes in Ring Assembly (7).
22. Place Spring (9) over the seal tube on Seal Plate (10).
23. Place Pilot Body Assembly (5) over the assembly in step 21, so that six holes in Pilot Assembly (5) are aligned with six holes of assembly in step 21 and the passage hole in Diaphragm Assembly (8) which is next to the drilled passage in the bottom well of Assembly (5) is directly over the orifice in the Ring Assembly (7).

CAUTION: Make sure that the Anvil (4A) is not lost while manipulating Assembly (5).

24. Drop six Screws (6) into the holes in Pilot Body Assembly (5).
25. Place assembly of step 24 over Spring (9) aligning marks placed on Pilot Body Assembly (5) and Body Assembly (12) in step 2.
26. Tighten six Screws (6) alternately so that diaphragms are not damaged by the screws.
27. Place Diaphragm Assembly (4) into well in Pilot Body Assembly (5). Place Spring Seat (3A) and Spring (3B) in Diaphragm Assembly (4).
28. Place Bonnet Assembly (1) on Pilot Body Assembly (5), aligning marks placed on the regulator in step 2, and aligning four holes in Assembly (1) with the four holes in Assembly (5). Secure Bonnet Assembly (1) to Pilot Body Assembly (5) using four Screws (2).
29. Lubricate Knob Assembly Screw (3) with Molycote "G".
30. Reinstall the regulator in accord with installation instructions in the IOM and follow instructions in the operations section for placing the regulator back into service.

Index	Part No.	Description
1	EA-9536	Bonnet Assembly
2	EA-1032-12	Screw
3A	EB-11020	Spring Seat
3B	EB-9321	Range Spring
*4	EB-12191	Diaphragm Assembly
4A	EB-9547	Anvil
5	EB-12224	Pilot Body Assembly
6	EA-1032-24	Screw
*7	EB-16014-1	Spacer Ring Assembly
*8	EB-15869-1**	Control Diaphragm Assembly (20,60,100 psi)
9	EA-12227	Spring
10	EB-15739-1	Seal Plate Assembly
*11	EA-6053	Gasket
12	EB-12212	Body Assembly
*13	EA-15074-1	Seat Assembly
*14	EB-15578-1	Inner Valve Assembly
*15	EB-6017	Screen
16	EA-6027	Retainer Plate
17	EB-7136	Retainer Cap
18	EA-1032-6	Screw
19	EA-1032-5	Screw

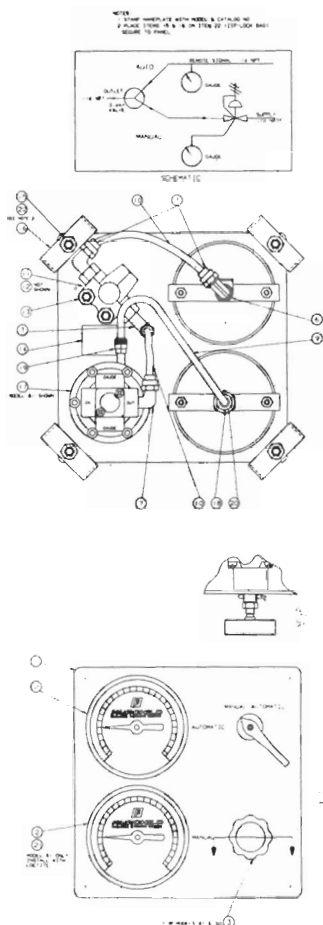
**EB-15869-2 For 2, 5 PSI



VIEW A

REPAIR PARTS LIST FOR PLT-8

When ordering repair parts, specify that the item is part of the PLT-8 assembly.
Specify proper dash number as indicated on nameplate



Item No.	Name	Part No.	Part No.	Part No.	Part No.
	Panel Loading Station	Model 10	Model 30	Model 64A	Model 65A
1	Panel	EC-14256	EC-14256	EC-14256	EC-14256
2	Pressure Gauge	EC-9426-	EC-9426-	EC-9426-	EC-9426-
18,19	Pipe to tube fitting	EA-12993	EA-12993	EA-12993	EA-12993
26	Coupling	EA-10537	EA-10537	EA-10537	EA-10537
3	Knob		EB-1142		
4	Knob	EB-4124-1		EB-4124-1	EB-4124-1
5	Washer	EA-5205	EA-5205	EA-5205	EA-5205
23	Nut	EA-5204	EA-5204	EA-5204	EA-5204
6	1/4 NPT Tee (Female)	EA-9459	EA-9459	EA-9459	EA-9459
7	Pipe to tube elbow	EA-13002-12	EA-13002-12	EA-13002-12	EA-13002-12
8	Pipe to tube fitting	EA-10458	EA-10458	EA-10458	EA-10458
9,10	Tubing	EA-9384	EA-9384	EA-9384	EA-9384
11	Three Way Valve	EB-9463	EB-9463	EB-9463	EB-9463
12	Spacer	EB-9463	EB-9464	EB-9464	EB-9464
13	Nut - Self Locking	EA-9462	EA-9462	EA-9462	EA-9462
14	Panel Nameplate	EB-9431-1	EB-9431-1	EB-9431-1	EB-9431-1
15	Hex Nut	EA-3651	EA-3651	EA-3651	EA-3651
16	Clamp	EA-9473	EA-9473	EA-9473	EA-9473
17	Regulator Assembly	EB-9429-*	EB-9430-*	EB-16346	EB-16158

Mounting Kit EA-18986-2

Removal of Regulator for Servicing

1. Remove lines from IN and OUT ports of regulator (17).
2. Remove knob assembly (3) or (4) as applicable and set aside.
3. Remove nut (23) and washer (5) securing regulator (17) to panel (11).
4. Proceed to service kit installation instructions for the specific regulator on pages 4, 6, 8 or 10.
5. Reassemble regulator assembly (17) into panel (11) using nut (23) and washer (5).
6. Secure knob assembly (3) set aside in step 2 and screw back into regulator bonnet. Reconnect air lines disconnected in step 1.
8. Place the regulator back into operation by using the Operation section of the IOM.

Removal of Three Way Switch

1. Remove screw () securing knob () to 3 way valve (11).
2. Disconnect lines between switch (11) and gages ().
3. Disconnect air line to switch (11) output port.
4. Remove screw () holding knob () to valve (11).
5. Remove two self locking nuts (12) and two spacers (13) securing valve (11) to panel (1).

Removal of Gages

1. Disconnect air lines to gages.
2. Remove two nuts () and clamps () holding gages (2) to panel (1).
3. Draw gage (2) out from front of panel (1).

REGULATOR MAINTENANCE

Model 10

The regulator is easily disassembled for the occasional cleaning or removal of foreign matter. Before this is done, however, shut off valve upstream of the regulator to prevent escape of air when regulator is disassembled. There is no need to remove the regulator from the pipe line; remove the two No. 10-32 screws on the bottom of the unit and pull out the inner valve

assembly. Wash inner valve assembly with solvent exercising care to avoid damaging diaphragms and valve facings. Replace assembly carefully. The vent hole in the bonnet should be kept clear. A slight flow of air through this hole is necessary for the proper operation of the regulator. The adjusting screw should be lubricated with Molycote type "G" grease.

CAUTION

(Avoid such solvents as acetone, carbon tetrachloride, trichlorethylene)

TROUBLE SHOOTING

Problem	Check
High bleed rate	Relief seat & relief valve for damage or foreign matter
Leakage	Diaphragm Damage
Valve chatter	Lubrication of seal rings

REPAIR PARTS LIST

Service Kits are available as follows:

DESCRIPTION	SERVICE KIT NO.
2-200 psig – STD [.15 - 14.0 BAR] (15-1400 kPa)	EA-12125-1

MAINTENANCE

Model 30

The regulator is easily disassembled for the occasional cleaning or removal of foreign matter. Before this is done, however, shut off valve upstream of the regulator to prevent escape of air when regulator is disassembled. There is no need to remove the regulator from the pipe line; remove the two No. 10-32 screws on the bottom of the unit and pull out the inner valve assembly. Wash inner valve assembly with solvent exercising care to avoid damaging diaphragms and valve facings. Replace assembly carefully. The vent hole in

the bonnet should be kept clear. A slight flow of air through this hole is necessary for the proper operation of the regulator. The adjusting screw should be lubricated with Molycote type "G" grease.

CAUTION

(Avoid such solvents as acetone, carbon tetrachloride, trichlorethylene)

TROUBLE SHOOTING

PROBLEM	CHECK
Leakage	Body screw tightness Diaphragm
High Bleed	Relief pintle and relief seat for damage or contamination
Difficult to adjust	Adjusting screw, ball Seal ring lubrication

REPAIR PARTS LIST

Service Kits are available for the regulator as follows:
EB-16116-1

Model 64A/65A

The drainlock on Model 65A should be opened periodically to empty the dripwell. The frequency with which the dripwell should be drained will depend upon the flow through the regulator and the amount of entrained oil or water in the air.

The filter may be removed for servicing or replacement by removing the drain housing and the spring retainer plug and filter retainer. Clean filter in kerosene, gasoline, or similar solvent. After cleaning reassemble. Do not attempt to force it.

The adjusting screw on Models 64A and 65A should be lubricated with Molycote type "G" grease.

NOTICE

The presence of certain diester oils in the airlines may hasten deterioration of the elastomers and thus decrease the useful life of this unit.

TROUBLESHOOTING

PROBLEM	CHECK
Leakage	Body screw tightness Diaphragm
High Bleed	Relief pintle and relief seat for damage or contamination
Difficult to Adjust	Adjusting screw and ball Seal ring lubrication

REPAIR PARTS LIST

Service Kits are available for the regulator.

MODEL 64A	MODEL 65A
Standard EA-16133-1	Standard EA-16132-1

NOTE: To order kit with 5 micron filter add suffix "F" to kit number.

Model 81

The regulator is easily disassembled for the occasional cleaning or removal of foreign matter. Before this is done, however, shut off valve upstream of the regulator to prevent escape of air when regulator is disassembled. There is no need to remove the regulator from the pipe line; remove the two No. 10-32 screws on the bottom of the unit and pull out the inner valve assembly. Wash inner valve assembly with solvent exercising care to avoid damaging diaphragm and valve facings. Replace assembly carefully.

The vent hole in the bonnet should be kept clear. A slight flow of air through this hole is necessary for the proper operation of the regulator.

The adjusting screw should be lubricated with Molycote type "G" grease.

CAUTION

(Avoid such solvents as acetone, carbon tetrachloride, trichlorethylene).

TROUBLE SHOOTING

PROBLEM

CHECK

Leakage

Body screw tightness
Diaphragm

High Bleed

Relief pintle and relief seat for damage or contamination

Difficult to Adjust

Adjusting screw and ball
Seal ring lubrication

REPAIR PARTS LIST

Service Kit EA-12922 is available for maintenance of the Model 81.

12922-2

0-2 [0-.14 BAR] (0-1.4 kPa)
and 0-5# [0-.35 BAR] (0-35 kPa)

12922-1

0-2 [0-.14 BAR] (0-1.4 kPa)
1/2-60 [.03-4 BAR] (.3-400 kPa)
1/2-100# [.03-7.0 BAR] (.3-700 kPa)



FAIRCHILD
INDUSTRIAL PRODUCTS COMPANY

3920 WEST POINT BLVD. WINSTON-SALEM, NC 27103-6708
TEL 336-659-3400 FAX 336-659-9323

www.fairchildproducts.com



FM NO. 25571

IS-400PLT8
Litho in USA
Rev. D 11-99