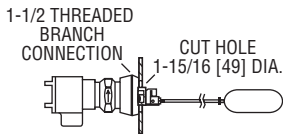
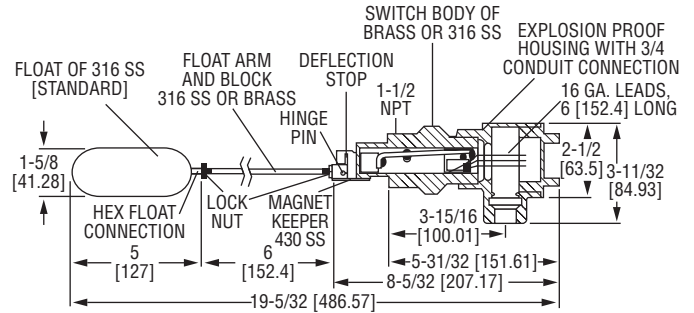
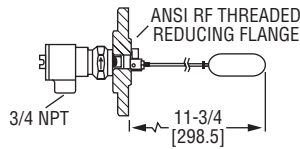


FLOTECT® FLOAT SWITCH

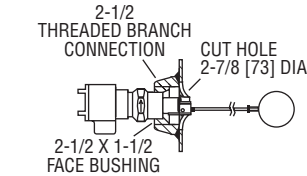
Magnetically Operated Switch, Leak Proof Body, Explosion-Proof



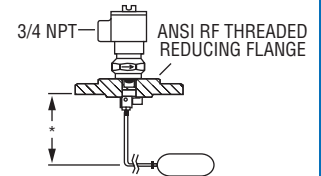
Standard Installation



Horizontal, Flange Installation



Horizontal, 2-1/2 Threaded Branch Connection Installation with Optional 2-1/2 [64] Spherical Float



Vertical, Flange Installation

*FLANGE FACE TO CENTERLINE OF FLOAT SPECIFIED BY CUSTOMER. NORMALLY SHOULD NOT EXCEED 20" [508 mm].



Scan here to watch product video

The **SERIES L4** Flotect® Float Switches is a rugged and reliable float switch which operates automatically to indicate tank level.

FEATURES/BENEFITS

- Unique magnetically actuated switching design gives superior performance
- No bellows, springs, or seals to fail
- Free-swinging float attracts a magnet within the solid metal switch body, actuating a snap switch by means of a simple lever arm
- Float arm hinge design limits the arm angle to prevent vertical hang up

APPLICATIONS

- Direct pump control for maintaining level
- Automatic tank dump operations
- Level control
- Valve control
- Level alarm in sumps, scrubber systems, hydro-pneumatic tanks, boilers, and water/wastewater treatment processes

OPTIONS

To order add suffix:	Description
-D	DPDT contacts
-MV	Gold plated contacts for dry circuits (see electrical rating in specifications, no listings or approvals)
-MT	High temperature rated 400°F (204°C) (see electrical rating in specifications, no listings or approvals)
-TRI	Time delay relay with 2 SPDT contacts, adjustable from 0-1 to 0-31 minutes (increasing flow)
-TRD	Time delay relay with 2 SPDT contacts, adjustable from 0-1 to 0-31 minutes (decreasing flow) (no listings or approvals)
-316	*316 SS magnet keeper option to replace standard 430 SS
-AT	ATEX compliant construction
-IEC	IECEx certified construction
-TOP	Top mounted for vertical flange installation [distance from flange face to centerline of float to be specified, 20" (508 mm) max]
-50	Optional float (2-1/2" spherical) 304 SS rated 50 psig (3.5 bar) and 0.5 min. s.g.
-150	Optional float (2-1/2" spherical) 316 SS rated 150 psig (10.3 bar) and 0.7 min. s.g.
-300	Optional float (2-1/2" spherical) 304 SS rated 300 psig (20.7 bar) and 0.7 min. s.g.

*316SS body and float with 430SS magnet keeper (wetted part).

Consult factory for price and availability of fittings for L4 installation. Threaded branch connection, bushings, and flanges are available in a variety of sizes and materials.

SPECIFICATIONS

Service: Liquids compatible with wetted materials.
Wetted Materials: Float and Rod: 316 SS; Body: Brass or 316 SS standard; Magnet Keeper: 430 SS standard, 316 SS or nickel optional.
Temperature Limits: 4 to 275°F (-20 to 135°C) standard, MT high temperature option 400°F (205°C) [MT option not UL, CSA, ATEX or IECEx]. ATEX and IECEx options: Ambient temperature -4 to 163°F (-20 to 73°C); Process temperature -4 to 163°F (-20 to 73°C).
Pressure Limit: Brass body 1000 psig (69 bar), 316 SS body 2000 psig (138 bar). Standard float rated 100 psig (6.9 bar). For other floats, see options.
Enclosure Rating: Weatherproof and Explosion-proof. **Listed with UL and CSA for Class I, Groups C and D; Class II, Groups E, F, and G. ATEX C 0344 Ex II 2 G Ex d IIB T6 Gb -20°C ≤ Tamb ≤ 73°C. -20°C ≤ Process Temp ≤ 73°C.
 EC-Type Certificate No.: KEMA 03 ATEX 2383.
 ATEX Standards: EN60079-0: 2009; EN60079-1: 2007.
 IECEx Certified: For Ex d IIB T6 Gb -20°C ≤ Tamb ≤ 73°C. -20°C ≤ Process Temp ≤ 73°C.
 IECEx Certificate of Conformity: IECEx DEK 11.0071.
 IECEx Standards: IEC 60079-0: 2007; IEC 60079-1: 2007.
Switch Type: SPDT snap switch standard, DPDT snap switch optional.
Electrical Rating: UL, FM, ATEX and IECEx models: 10 A @ 125/250 VAC (V~). CSA models: 5 A @ 125/250 VAC (V~); 5 A res., 3 A ind. @ 30 VDC (V---). MV option: 1 A @ 125 VAC (V~); 1 A res., .5 A ind. @ 30 VDC (V---). MT option: 5 A @ 125/250 VAC (V~). [MT and MV option not UL, CSA, FM, ATEX or IECEx].
Electrical Connections: UL and CSA models: 16 AWG, 6" (152 mm) long. ATEX and IECEx unit: terminal block.
Process Connection: 1-1/2" male NPT standard, 2-1/2" male NPT standard optional floats.
Mounting Orientation: Horizontal installation standard, optional vertical top mount.
Dead Band: 3/4" (19 mm) for standard float.
Specific Gravity: 0.7 minimum with standard float. For other floats see model chart.
Weight: 4 lb 9 oz (2.07 kg).
Agency Approvals: ATEX, CE, CSA, FM, IECEx, UL**.
 **No housing option (-NH) has no approvals.

MODEL CHART

Model	Description
L4	Brass body, side wall mounting
L4-NH**	Brass body, side wall mounting, no housing
L4-SS	316SS* body, sidewall mounting
L4-SS-NH**	316SS* body, sidewall mounting, no housing

*316SS body and float with 430SS magnet keeper (wetted part).
 **No housing option (-NH) has no approvals.