

SSLM1D101BD

SSRelay - DIN rail mount - input 4-28 VDC,
output 4-28 VDC, 0.1A, positive logic



Main

Range of product	Zelio Relay
Product or component type	Solid state relay
Device short name	SSLM
Network number of phases	1 phase

Complementary

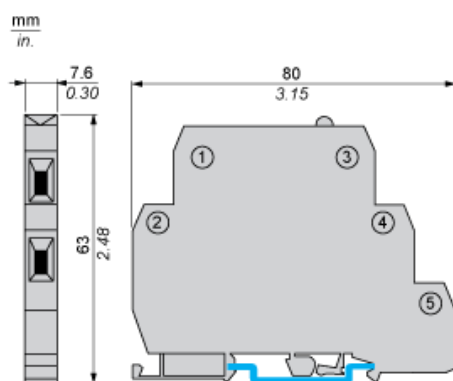
Mounting support	Symmetrical DIN rail
[In] rated current	0.1 A
Output voltage	4...28 V DC
Control circuit voltage	4...28 V DC
Contacts type and configuration	1 NO
Tightening torque	0.6...0.8 N.m
Connections - terminals	Screw terminals : 1 x 0.2...1 x 5.26 mm ² (AWG 24...AWG 10)
Switching voltage	4 V DC turn-on
Load current	0.1 A
Voltage drop	0.5 V on-state
Response time	60 µs turn-off 30 µs turn-on
Overvoltage category	III
Width	7.5 mm
Height	80 mm
Depth	63 mm
Product weight	0.03 kg

Environment

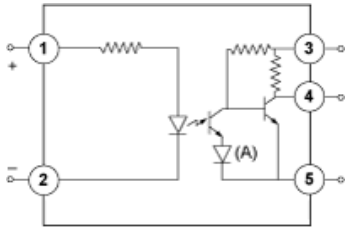
Dielectric strength	4000 V for input/output
Pollution degree	2
Standards	UL 508 CSA C22.2 No 14 EN 60947-4-3
Product certifications	CSA UL EAC
Marking	CE CSA UL EAC
IP degree of protection	IP20
Ambient air temperature for operation	0...70 °C

The information provided in this documentation contains general descriptions and/or technical characteristics of the performance of the products contained herein. This documentation is not intended as a substitute for and is not to be used for determining suitability or reliability of these products for specific user applications. It is the duty of any such user or integrator to perform the appropriate and complete risk analysis, evaluation and testing of the products with respect to the relevant specific application or use thereof. Neither Schneider Electric Industries SAS nor any of its affiliates or subsidiaries shall be responsible or liable for misuse of the information contained herein.

Dimensions



Wiring Diagram



- 1,2 : Field VDC
- 3 : Vcc
- 4 : Logic
- 5 : Ground
- (A) LED