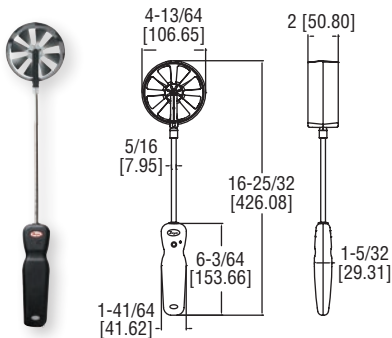


100 MM VANE THERMO-ANEMOMETER PROBE

Wireless, Measures Velocity, Flow, Humidity, & Temperature



Scan here to watch product video



SPECIFICATIONS

Service: Dry, clean air.

Temperature Limits: Process: -20 to 212°F (-29 to 100°C); Ambient: 5 to 125°F (-15 to 51°C).

Range: Air Velocity: 40 to 5000 fpm (0.2 to 25 m/s); Volumetric Air: 999,999 in selected flow units; Temperature: -20 to 212°F (-29 to 100°C); Relative Humidity: 0 to 100% RH.

Accuracy: Air Velocity: 0.25 to 10 m/s: ±1.5% of reading ±20 fpm (±0.1 m/s); 10 to 20 m/s: 1.5% of reading ±40 fpm (±0.2 m/s); 20 to 25 m/s: ±1.5% of reading ±60 fpm (±0.3 m/s); Temperature: ±0.54°F @ 77°F (±0.3°C @ 25°C); Relative Humidity: ±2% @ 77°F (25°C) (10 to 90% RH); ±4% (0 to 10% RH and 90 to 100%).

Response Time: Air Velocity and Air Volume: 1 s; Temperature and Relative Humidity: 1.5 s.

Probe Length: 8" (203 mm) insertion.
Battery Charging Limits: 32 to 113°F (0 to 45°C). (Wireless Only).

Power Requirements: 3.7 V YT562447 Lithium ion battery, installed functional, user replaceable. (Note: Intended to be operated with power cables less than 3 m in length). (Wireless Only).

Maximum Wireless Distance: 50' (15 m). (Wireless Only).

Handle Enclosure: Thermoplastic elastomer over polycarbonate.

Supplied With: Wrist strap.

Weight: 13.6 oz (385 g).

Agency Approvals: CE (not while charging), FCC compliant.

MODEL CHART

Model	Description
VP2	Wireless 100 mm vane thermo-anemometer probe for use with the Model UHH handheld meter and the Mobile Meter® Software Test Instrument Mobile App