



RoHS compliance applies only to 304 SS and 316 SS syphons

Description & Features:

- On steam service, the syphon will prevent hot steam from entering a pressure gauge, diaphragm seal or transmitter
- Available in brass/steel for non-corrosive applications and stainless steel for corrosive applications
- CRN registered
- 1 year warranty

Applications:

- Recommended for applications involving temperatures above 100°F (37°C)
- Ideal for steam installations

Specifications

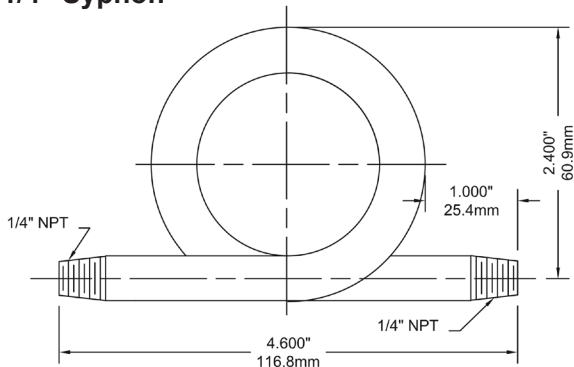
| | |
|-----------------------------------|---|
| Material | Schedule 40 brass, schedule 40, 80 carbon steel, 304 SS or 316 SS (all types seamless) |
| Style | 180° coil |
| Connection | 1/4" NPTM x 1/4" NPTM or 1/2" NPTM x 1/2" NPTM |
| Maximum Operating Pressure | Schedule 40: Brass, carbon steel, 304 SS, 316 SS suitable up to 500 psi at 680°F (360°C) Schedule 80: Carbon steel, 304 SS, 316 SS suitable up to 1,650 psi at 630°F (332°C) |

Order Codes (products in bold are normally stock in North America)

| Material | 1/4" NPT | 1/2" NPT |
|--------------------------|-----------------|-----------------|
| Schedule 40 Brass | SSP545 | SSP559 |
| Schedule 40 Carbon Steel | SSP525 | SSP555 |
| Schedule 40 304 SS | SSP535 | SSP585 |
| Schedule 40 316 SS | SSP554 | SSP557 |
| Schedule 80 Carbon Steel | SSP556 | SSP2715 |
| Schedule 80 304 SS | SSP595 | SSP2716 |
| Schedule 80 316 SS | - | SSP2719 |

Note: Schedule 80 316 SS and extra-extra strong schedule available

1/4" Syphon



1/2" Syphon

