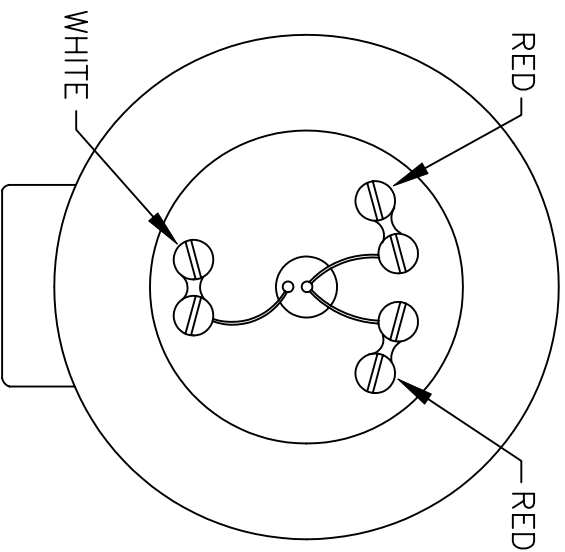
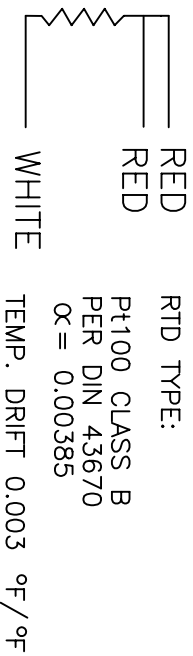


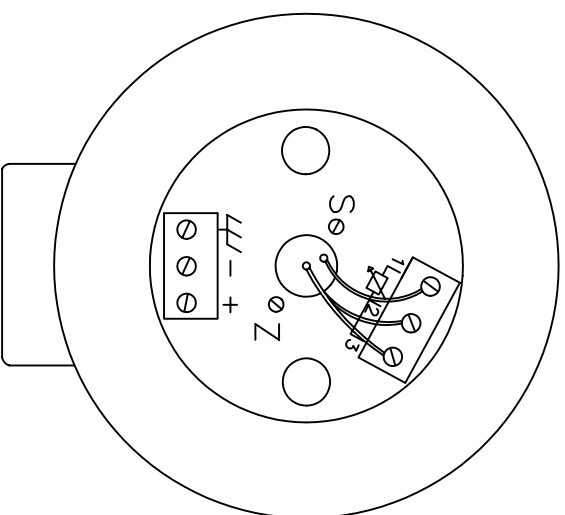
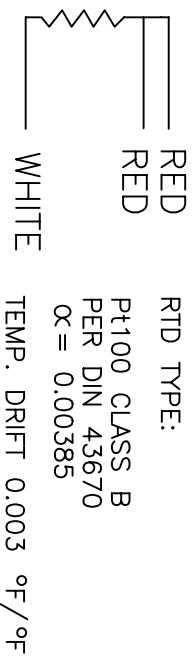
THERMOELEMENT ONLY

WIRING CONFIGURATION: RTD SPECIFICATIONS



RTD ONLY

WIRING CONFIGURATION: RTD SPECIFICATIONS



RTD WITH HEAD MOUNTED TRANSMITTER

WIRING CONFIGURATION:



TRANSMITTER SPECIFICATIONS

ACCURACY: +/- 0.1% OF SPAN
ZERO DRIFT: +/- 0.025%/°F
SPAN DRIFT: +/- 0.025%/°F
LOOP RESISTANCE:
Rmax = 50 (Vsupply + 10)

