

# PDA0007

## Enclosure Ventilation Kit



**PDA0007 Vent Installed on PDA2929 Enclosure with PD9000 ConsoliDator+**  
(PDA2929 and PD9000 sold separately)



**PDA0007 Vent Front**



**PDA0007 Vent Back**



## FEATURES

- Prevents Condensation Inside the Enclosure
- UL & CSA Type 4X IP66
- Plastic and Steel Enclosures Available With Mounting Holes Pre-Drilled
- For Wall Thickness of 16 Gauge to 1/4"
- Corrosion Resistant Polycarbonate
- Comes with Two Vents
- Installation Template Included
- Hardware Included

## OVERVIEW

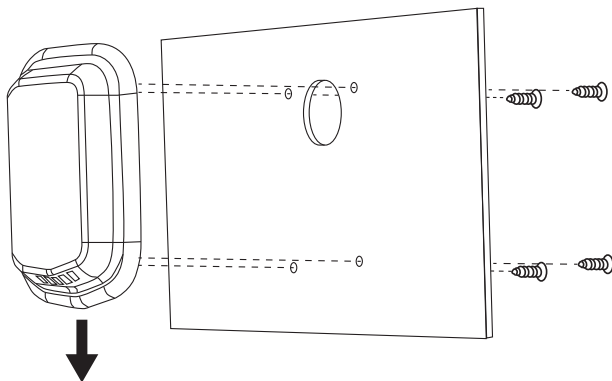
The PDA0007 ventilation kit consists of two vents and is designed to equalize internal / external pressure and temperature to prevent condensation from building up in the enclosure. Internal baffles within the vents create an airflow pattern that allows air to pass between the inside of the enclosure and the outside environment. The vents are rated UL & CSA Type 4X and IP66. The ventilation kit can also be ordered as a MODVENT-P for plastic enclosures and a MOD-VENT-M for steel enclosures. When this is done, the accompanying enclosure will be provided with pre-drilled holes for the vents (Installation is done by the user and the enclosure is sold separately). See ordering information.

# PDA0007 Enclosure Ventilation Kit

## INSTALLATION

**Note:** A Philips screwdriver is required to install the vents to the enclosure. All hardware is provided.

1. Punch out the four mounting holes and vent hole from the provided installation template.
2. Position the template on a flat smooth surface of the enclosure. Align the template so that the top is facing the top of the enclosure and mark the hole locations as shown. Repeat this step for the other vent.
3. Remove the template and drill the 4 holes for the mounting screws, 3/16" (.188 mm) and the hole for the vent opening 1.0" (25.4 mm) diameter accordingly. Repeat this step for the other vent.
4. Mount the vents with 4 each of the mounting screws (provided) to the exterior of the enclosure, making sure the vent slots are pointing downward. It is recommended to install the two vents on opposite sides of the enclosure: one mounted high and the other mounted low. Adjust as application requires.
5. Mounting surface thickness: 0.059" - 0.250" (1.5 mm - 6.4 mm). Tightening torque: 12-15 lb-in.
6. Hardware provided: 8 screws (8-18 x 1/2")



Vent slots must be pointing downward

## SPECIFICATIONS

**Ingress Protection:** UL & CSA Type 1, 3R, 4, 4X IP66

**Material:** Injected Molded Polycarbonate, UL 94 V-0, color: gray

**Gasket Material:** (FIP) Polyurethane

**Operating Temperature:** -35 to 130°C (-31 to 266°F)

**Outdoor Rating:** UV rating (f1) per UL746C-UV stabilized

**Dimensions:** 4.17" x 2.96" x 0.75" (106 mm x 75 mm x 19 mm) (H x W x D)

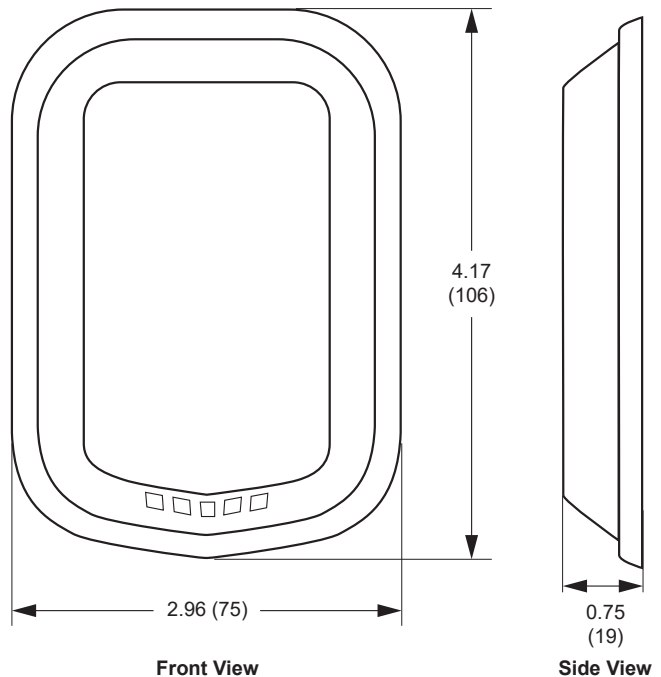
### Disclaimer

The information contained in this document is subject to change without notice. Precision Digital Corporation makes no representations or warranties with respect to the contents hereof, and specifically disclaims any implied warranties of merchantability or fitness for a particular purpose.

©2021 Precision Digital Corporation. All rights reserved.

## DIMENSIONS

Units: Inches (mm)



## ORDERING INFORMATION

PDA0007 Enclosure Ventilation Kit	
Model	Description
PDA0007	Enclosure Ventilation Kit (2 vents)
MOD-VENT-P	Modification: Vents (2) for Plastic Enclosure with Holes Drilled for Vents in Enclosure. Enclosure sold separately and assembly required by user.
MOD-VENT-M	Modification: Vents (2) for Metal Enclosure with Holes Drilled for Vents in Enclosure. Enclosure sold separately and assembly required by user.

### WARNING

Cancer and Reproductive Harm - [www.P65Warnings.ca.gov](http://www.P65Warnings.ca.gov)

Your Local Distributor is: