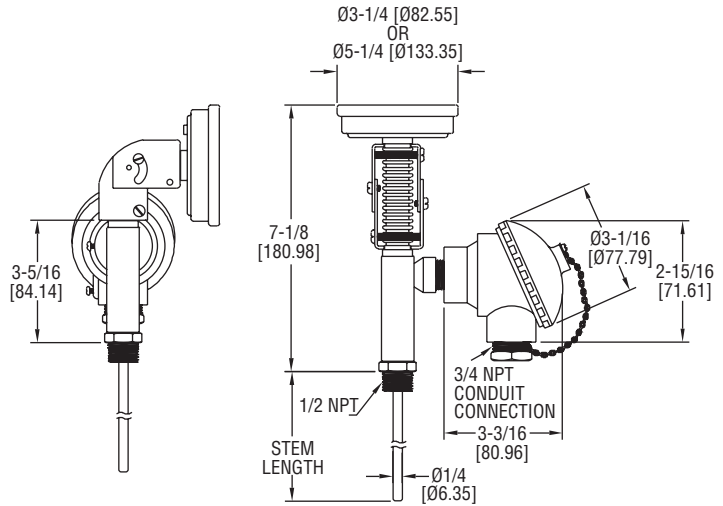




# BIMETAL THERMOMETER WITH TRANSMITTER OUTPUT

Bimetal Stem with 4 to 20 mA Output, 3" or 5" Dial



The **SERIES BTO** Bimetal Thermometer with Transmitter Output eliminates the need for a separate thermometer and transmitter.

**FEATURES/BENEFITS**

- Thermometer and transmitter in one device
- Weatherproof construction

**APPLICATIONS**

- Boilers
- Compressors
- Thermal oxidizers

**SPECIFICATIONS**

**THERMOMETER SPECIFICATIONS**

**Wetted Materials:** 304 SS.  
**Housing Material:** 304 SS.  
**Lens:** Glass.  
**Accuracy:** ±1% FS.  
**Temperature Limits:** Ambient: -58 to 185°F (-50 to 85°C).  
**Dial Size:** 3" or 5".  
**Process Connection:** 1/2" NPT.  
**Resolution:** 2°F (5°F for 400°F and 550°F models).  
**Weight:** 1.95 lb.

**TRANSMITTER SPECIFICATIONS**

**Temperature Limits:** Ambient: -58 to 185°F (-50 to 85°C).  
**Power Requirement:** 10 to 33 VDC.  
**Output Signal:** 4 to 20 mA.  
**Loop Resistance:** 1045 Ω.  
**Power Consumption:** 38 mA.  
**Enclosure Rating:** NEMA 4X (IP66).

**MODEL CHART**

Model	Dial Size	Stem Length	Range	Model	Dial Size	Stem Length	Range
BTO325101	3"	2.5"	0 to 200°F	BTO525101	5"	2.5"	0 to 200°F
BTO32551	3"	2.5"	0 to 250°F	BTO52551	5"	2.5"	0 to 250°F
BTO32561	3"	2.5"	50 to 300°F	BTO52561	5"	2.5"	50 to 300°F
BTO325121	3"	2.5"	50 to 400°F	BTO525121	5"	2.5"	50 to 400°F
BTO32571	3"	2.5"	50 to 550°F	BTO52571	5"	2.5"	50 to 550°F
BTO340101	3"	4"	0 to 200°F	BTO540101	5"	4"	0 to 200°F
BTO34051	3"	4"	0 to 250°F	BTO54051	5"	4"	0 to 250°F
BTO34061	3"	4"	50 to 300°F	BTO54061	5"	4"	50 to 300°F
BTO340121	3"	4"	50 to 400°F	BTO540121	5"	4"	50 to 400°F
BTO34071	3"	4"	50 to 550°F	BTO54071	5"	4"	50 to 550°F
BTO360101	3"	6"	0 to 200°F	BTO560101	5"	6"	0 to 200°F
BTO36051	3"	6"	0 to 250°F	BTO56051	5"	6"	0 to 250°F
BTO36061	3"	6"	50 to 300°F	BTO56061	5"	6"	50 to 300°F
BTO360121	3"	6"	50 to 400°F	BTO560121	5"	6"	50 to 400°F
BTO36071	3"	6"	50 to 550°F	BTO56071	5"	6"	50 to 550°F
BTO390101	3"	9"	0 to 200°F	BTO590101	5"	9"	0 to 200°F
BTO39051	3"	9"	0 to 250°F	BTO59051	5"	9"	0 to 250°F
BTO39061	3"	9"	50 to 300°F	BTO59061	5"	9"	50 to 300°F
BTO390121	3"	9"	50 to 400°F	BTO590121	5"	9"	50 to 400°F
BTO39071	3"	9"	50 to 550°F	BTO59071	5"	9"	50 to 550°F
BTO312101	3"	12"	0 to 200°F	BTO512101	5"	12"	0 to 200°F
BTO31251	3"	12"	0 to 250°F	BTO51251	5"	12"	0 to 250°F
BTO312061	3"	12"	50 to 300°F	BTO512061	5"	12"	50 to 300°F
BTO312121	3"	12"	50 to 400°F	BTO512121	5"	12"	50 to 400°F
BTO31271	3"	12"	50 to 550°F	BTO51271	5"	12"	50 to 550°F

Thermometers with Transmitter