

## SERIES 40M/40T | DIGITAL TEMPERATURE SWITCH

### FEATURES/BENEFITS

- Field selectable °F or °C
- Universal temperature sensor or transmitter input on 40M models
- Configuration key to quickly load parameters from one unit to another
- Heating or cooling models



### APPLICATIONS

- Food service equipment
- Industrial process control

### DESCRIPTION

The **SERIES 40T/40M** Digital Temperature Switch accepts a variety of inputs to allow temperature measurements and set points up to 1999°F (1300°C).



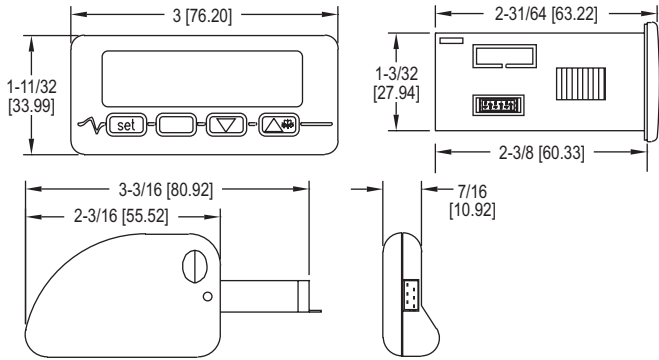
### SPECIFICATIONS

<b>Probe Range</b>	K T/C: -140 to 1999°F (-100 to 1300°C); J T/C: -140 to 1450°F (-100 to 800°C); RTD: -320 to 1200°F (-200 to 650°C); PTC: -58 to 300°F (-50 to 150°C); NTC: -40 to 230°F (-40 to 110°C); N. RTD: -110 to 570°F (-80 to 300°C).
<b>Output</b>	16 A @ 250 VAC SPDT relay (max current allowed is 10 A).
<b>Control Type</b>	On/off.
<b>Power Requirements</b>	12 to 24 VAC/ VDC, 115 VAC or 230 VAC depending on model.
<b>Accuracy</b>	±1% FS.
<b>Display</b>	3-1/2 digit red display.
<b>Resolution</b>	0.1°C.
<b>Memory Backup</b>	Non-volatile memory.
<b>Ambient Temperature</b>	32 to 131°F (0 to 55°C).
<b>Weight</b>	2.3 oz (65 g).
<b>Front Panel Rating</b>	IP65.
<b>Agency Approvals</b>	CE, cULus.

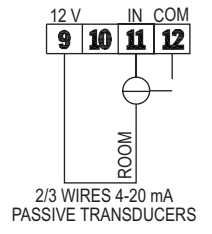
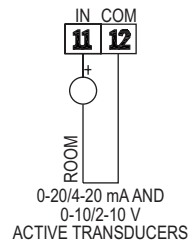
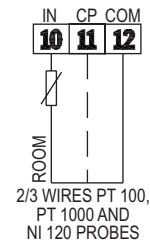
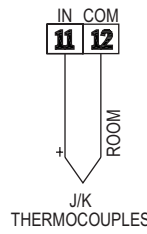
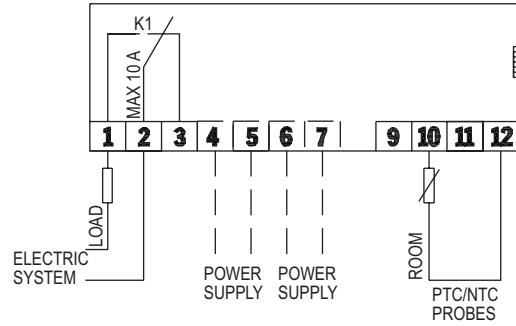




## DIMENSIONS

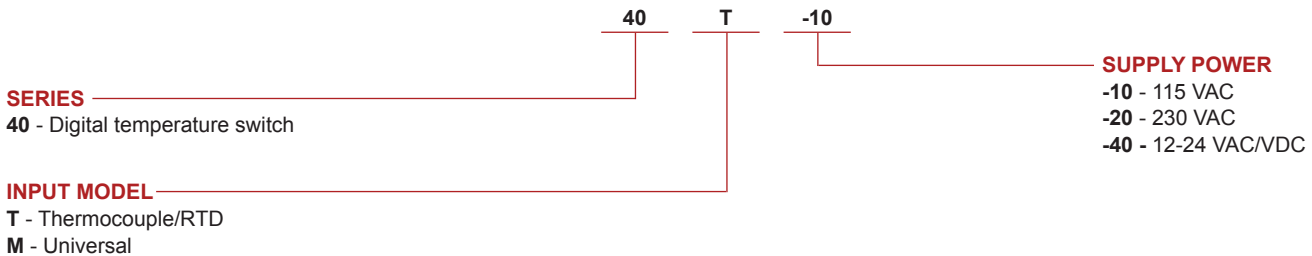


## WIRING DIAGRAM



## HOW TO ORDER

Use the **bold** characters from the chart below to construct a product code.



## ACCESSORIES

Model	Description
40X-K	Configuration key
Series TS-Probes	Digital temperature switch probes and accessories

Important Notice: Dwyer Instruments, Inc. reserves the right to make changes to or discontinue any product or service identified in this publication without notice. Dwyer advises its customers to obtain the latest version of the relevant information to verify, before placing any orders, that the information being relied upon is current.

