

30 to 600 psi (200 to 4,140 kPa)



### Description & Features:

- Meets the requirements of dairy, food, beverage, chemical and pharmaceutical industries
- ASME B40.100 compliant
- CRN registered
- 1 year warranty

### Applications:

- D20 may be attached to any Winters all SS gauge for sanitary installations.

### Specifications

<b>Housing</b>	AISI 316 SS
<b>Diaphragm</b>	AISI 316L SS, welded
<b>Minimum Operating Pressure</b>	30 psi (200 kPa)
<b>Maximum Operating Pressure</b>	600 psi (4,140 kPa)
<b>Gauge Connection</b>	1/4" NPTF
<b>Process Connection</b>	1.5" (40mm) and 2" (50mm) Tri-Clamp® fitting standard
<b>Process Temperature</b>	-4°F to 248°F (-20°C to 120°C)
<b>Surface Finish</b>	8 Ra

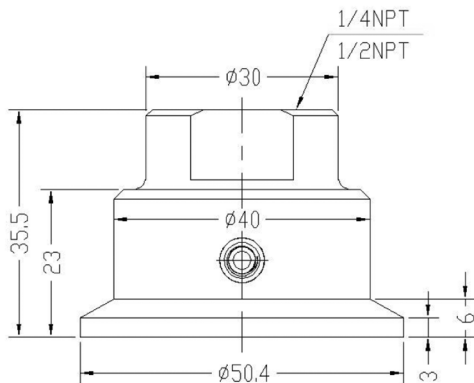
### Order Codes

1.5" (40mm)	2" (50mm)
D20980	D20976

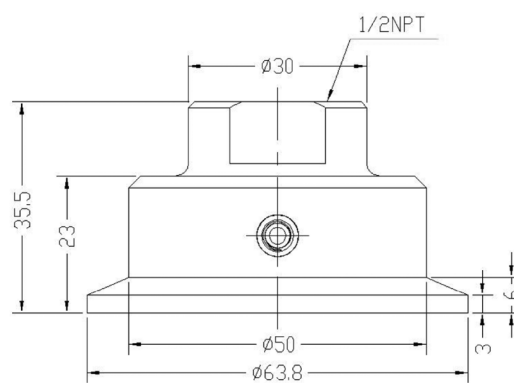
### Option suffix for above order codes only:

SF-D = Silicone fill (seal only)

### 1.5" Tri-Clamp®



### 2" Tri-Clamp®



Tri-Clamp® is a registered trademark of Tri-Clover