

rotork[®]

Fluid Systems

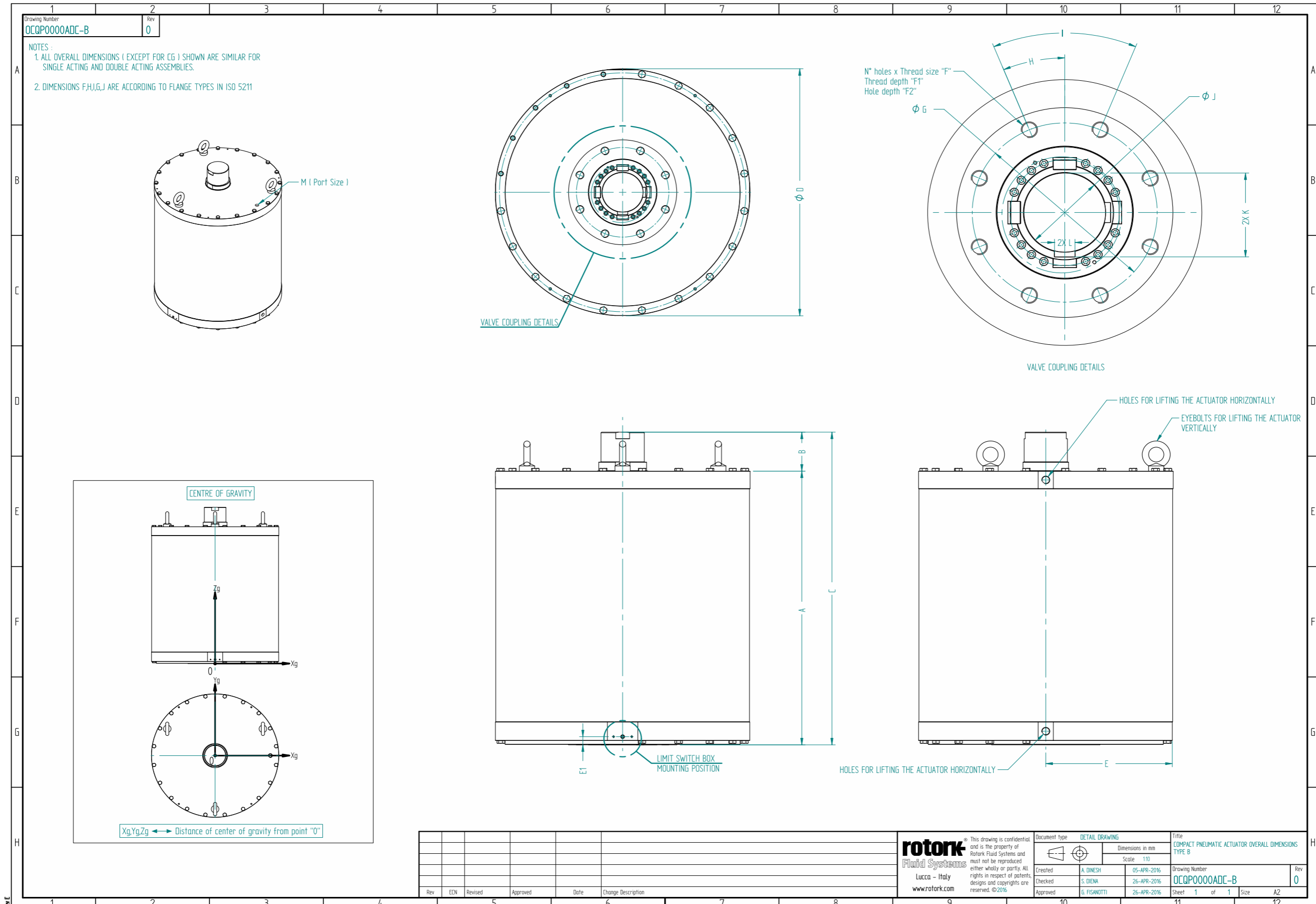
CQP Series actuator

Dimension Data (metric)



Date 12/15/2016

Revision 0



Rev	ECN	Revised	Approved	Date	Change Description

rotork Fluid Systems Lucca - Italy www.rotork.com		<small>® This drawing is confidential and is the property of Rotork Fluid Systems and must not be reproduced either wholly or partly. All rights in respect of patents, designs and copyrights are reserved. ©2016</small>		Document type DETAIL DRAWING	Dimensions in mm Scale 1:10	Title COMPACT PNEUMATIC ACTUATOR OVERALL DIMENSIONS TYPE B
Created	A. DINESH	05-APR-2016	05-APR-2016	05-APR-2016	05-APR-2016	05-APR-2016
Checked	S. DIENA	26-APR-2016	26-APR-2016	26-APR-2016	26-APR-2016	26-APR-2016
Approved	G. FISANOTTI	26-APR-2016	26-APR-2016	26-APR-2016	26-APR-2016	26-APR-2016
Drawing Number OCQP0000ADC-B				Rev 0	Sheet 1 of 1 Size A2	

ACTUATOR MODEL	ISO 5211 FLANGE TYPE	ACTUATOR OVERALL DIMENSIONS				LIMIT SWITCH BOX MOUNTING DETAILS		VALVE COUPLING DIMENSIONS			M (NPT)	DISPL. (l)	WEIGHT (kg)	CENTER OF GRAVITY		
		A	B	C	Ø D	E	E1	Ø J (H9 Fit)	K ₀ ^{0.2}	L (D10 Fit)				Xg	Yg	Zg
CQP-010-300*/C1-A	F14	411.0	105.0	516.0	380.0	183.0	18.5	50.0	54.3	16.0	1/2"	6.8	173.1	-0.10	-0.07	211.88
CQP-010-320*/C1-A	F14	411.0	105.0	516.0	400.0	194.0	18.5	50.0	54.3	16.0	1/2"	7.7	181.2	-0.09	0.08	212.78
CQP-010-350*/C1-A	F14	411.0	105.0	516.0	432.0	210.0	18.5	50.0	54.3	16.0	1/2"	9.2	199.8	-0.09	0.06	213.34
CQP-010-300*/C1-B	F14	425.5	105.0	530.5	349.0	166.5	33.0	50.0	54.3	16.0	1/2"	6.8	199.5	-0.04	0.07	219.62
CQP-010-320*/C1-B	F14	425.5	105.0	530.5	373.0	179.5	33.0	50.0	54.3	16.0	1/2"	7.7	220.4	-0.04	0.07	219.90
CQP-010-350*/C1-B	F14	425.5	105.0	530.5	407.0	196.5	33.0	50.0	54.3	16.0	1/2"	9.2	250.4	-0.05	0.03	220.35
CQP-020-350*/C1-A	F16	524.0	116.0	640.0	432.0	209.5	22.0	60.0	64.4	18.0	1/2"	12.8	275.8	0.54	0.10	258.18
CQP-020-385*/C1-A	F16	524.0	116.0	640.0	465.0	226.5	22.0	60.0	64.4	18.0	1/2"	13.4	299.3	0.40	0.11	259.26
CQP-020-400*/C1-A	F16	524.0	116.0	640.0	480.0	234.5	22.0	60.0	64.4	18.0	1/2"	14.5	312.5	0.38	0.10	259.51
CQP-020-350*/C1-B	F16	538.0	116.0	654.0	407.0	197.0	36.0	60.0	64.4	18.0	1/2"	11.1	337.6	-0.72	0.16	269.92
CQP-020-385*/C1-B	F16	538.0	116.0	654.0	442.0	215.0	36.0	60.0	64.4	18.0	1/2"	13.4	370.5	0.34	0.05	269.80
CQP-020-400*/C1-B	F16	538.0	116.0	654.0	457.0	222.5	36.0	60.0	64.4	18.0	1/2"	14.5	385.6	0.09	-0.34	269.59
CQP-030-385*/C1-A	F16	621.0	119.0	740.0	465.0	226.5	22.0	60.0	64.4	18.0	1/2"	19.8	376.1	-1.27	-0.04	305.39
CQP-030-435*/C1-A	F16	621.0	119.0	740.0	515.0	251.5	22.0	60.0	64.4	18.0	1/2"	25.3	422.2	-1.17	-0.13	307.54
CQP-030-450*/C1-A	F16	621.0	119.0	740.0	530.0	259.0	22.0	60.0	64.4	18.0	1/2"	27.1	438.4	-1.15	-0.12	308.08
CQP-030-385*/C1-B	F16	635.0	119.0	754.0	442.0	215.0	36.0	60.0	64.4	18.0	1/2"	19.8	459.1	-0.98	-0.18	316.04
CQP-030-435*/C1-B	F16	635.0	119.0	754.0	492.0	240.0	36.0	60.0	64.4	18.0	1/2"	25.3	514.9	-0.75	-0.10	316.31
CQP-030-450*/C1-B	F16	635.0	119.0	754.0	507.0	247.5	36.0	60.0	64.4	18.0	1/2"	27.1	531.8	-0.93	-0.03	316.44
CQP-040-435*/C1-A	F25	713.0	129.5	842.5	514.0	252.0	21.5	72.0	76.9	20.0	1/2"	31.5	537.4	0.88	-0.39	348.90
CQP-040-485*/C1-A	F25	713.0	129.5	842.5	565.0	277.5	21.5	72.0	76.9	20.0	1/2"	33.8	597.5	0.77	-0.30	354.13
CQP-040-500*/C1-A	F25	713.0	129.5	842.5	580.0	285.0	21.5	72.0	76.9	20.0	1/2"	35.9	609.2	0.75	-0.48	354.75
CQP-040-435*/C1-B	F25	729.0	129.5	858.5	492.0	240.0	36.5	72.0	76.9	20.0	1/2"	27.2	645.0	0.71	-0.30	359.56
CQP-040-485*/C1-B	F25	729.0	129.5	858.5	542.0	266.0	36.5	72.0	76.9	20.0	1/2"	33.8	713.1	0.26	0.78	361.99
CQP-040-500*/C1-B	F25	729.0	129.5	858.5	561.0	275.5	36.5	72.0	76.9	20.0	1/2"	35.9	752.5	0.63	-0.27	362.44
CQP-050-485*/C1-A	F30	882.0	159.5	1041.5	570.0	280.5	23.0	98.0	104.4	28.0	1"	49.1	765.1	-1.16	-0.18	440.66
CQP-050-520*/C1-A	F30	882.0	159.5	1041.5	602.0	297.0	23.0	98.0	104.4	28.0	1"	56.4	802.8	-1.13	-0.18	443.37
CQP-050-560*/C1-A	F30	882.0	159.5	1041.5	642.0	317.0	23.0	98.0	104.4	28.0	1"	65.4	849.9	-1.11	-0.13	445.72
CQP-050-485*/C1-B	F30	897.0	159.5	1056.5	544.0	267.0	33.5	98.0	104.4	28.0	1"	49.1	931.9	-0.92	-0.17	449.19
CQP-050-520*/C1-B	F30	897.0	159.5	1056.5	579.0	285.0	33.5	98.0	104.4	28.0	1"	56.4	985.7	-0.88	-0.14	450.26
CQP-050-560*/C1-B	F30	897.0	159.5	1056.5	619.0	305.0	33.5	98.0	104.4	28.0	1"	65.4	1051.2	-0.83	-0.15	451.16
CQP-060-585*/C1-A	F30	936.0	167.0	1103.0	680.0	336.0	23.5	98.0	104.4	28.0	1"	70.8	1179.1	0.09	-0.53	453.05
CQP-060-635*/C1-A	F30	936.0	167.0	1103.0	730.0	361.0	23.5	98.0	104.4	28.0	1"	83.4	1305.5	0.06	-0.43	461.53
CQP-060-685*/C1-A	F30	936.0	167.0	1103.0	780.0	386.0	23.5	98.0	104.4	28.0	1"	97.0	1407.4	0.04	-0.44	469.33
CQP-060-585*/C1-B	F30	947.0	167.0	1114.0	646.0	319.0	34.0	98.0	104.4	28.0	1"	70.8	1391.4	0.07	-0.43	463.48
CQP-060-635*/C1-B	F30	947.0	167.0	1114.0	696.0	344.0	34.0	98.0	104.4	28.0	1"	83.4	1497.4	0.08	-0.42	468.63
CQP-060-685*/C1-B	F30	947.0	167.0	1114.0	746.0	369.0	34.0	98.0	104.4	28.0	1"	97.0	1614.6	0.08	-0.35	474.17
CQP-070-685*/C1-A	F35	1007.0	169.0	1176.0	780.0	386.0	27.0	160.0	169.4	40.0	1"	97.6	1563.1	-1.84	0.07	510.54
CQP-070-735*/C1-A	F35	1007.0	169.0	1176.0	835.0	413.5	27.0	160.0	169.4	40.0	1"	112.4	1690.9	-1.80	0.15	517.10
CQP-070-785*/C1-A	F35	1007.0	169.0	1176.0	890.0	441.0	27.0	160.0	169.4	40.0	1"	128.2	1847.3	-1.67	0.14	525.18
CQP-070-685*/C1-B	F35	1014.5	169.0	1183.5	746.0	369.0	34.5	160.0	169.4	40.0	1"	97.6	1769.8	-1.61	0.15	516.01
CQP-070-735*/C1-B	F35	1014.5	169.0	1183.5	796.0	394.0	34.5	160.0	169.4	40.0	1"	112.4	1903.3	-1.36	-0.14	520.78
CQP-070-785*/C1-B	F35	1014.5	169.0	1183.5	846.0	419.0	34.5	160.0	169.4	40.0	1"	128.2	2052.3	-1.47	0.10	526.79
CQP-080-785*/C1-A	F35	1107.0	171.0	1278.0	890.0	441.0	27.0	160.0	169.4	40.0	1"	135.1	2042.3	0.33	0.23	564.18
CQP-080-835*/C1-A	F35	1107.0	171.0	1278.0	952.0	472.0	27.0	160.0	169.4	40.0	1"	152.8	2223.2	0.26	0.37	571.22
CQP-080-885*/C1-A	F35	1107.0	171.0	1278.0	1010.0	501.0	27.0	160.0	169.4	40.0	1"	171.7	2400.7	0.37	0.09	577.02
CQP-080-785*/C1-B	F35	1114.5	171.0	1285.5	850.0	421.0	34.5	160.0	169.4	40.0	1"	135.1	2301.1	0.33	-0.26	569.90
CQP-080-835*/C1-B	F35	1114.5	171.0	1285.5	896.0	444.0	34.5	160.0	169.4	40.0	1"	152.8	2434.8	0.35	0.23	574.41
CQP-080-885*/C1-B	F35	1114.5	171.0	1285.5	946.0	469.0	34.5	160.0	169.4	40.0	1"	171.7	2607.8	0.31	0.24	578.88
CQP-090-937*/C1-A	F40	1233.0	176.5	1409.5	1095.0	543.5	30.0	180.0	190.4	45.0	1"	217.2	3535.8	0.20	-0.52	634.62
CQP-090-940*/C1-A	F40	1233.0	176.5	1409.5	1160.0	576.0	30.0	180.0	190.4	45.0	1"	246.8	3812.0	0.16	-0.60	646.72
CQP-090-942*/C1-A	F40	1233.0	176.5	1409.5	1220.0	606.0	30.0	180.0	190.4	45.0	1"	270.9	4179.9	0.51	-0.01	652.71
CQP-090-937*/C1-B	F40	1240.0	176.5	1416.5	1056.0	524.0	37.0	180.0	190.4	45.0	1"	217.2	3898.4	0.18	0.77	638.68
CQP-090-940*/C1-B	F40	1240.0	176.5	1416.5	1119.0	555.5	37.0	180.0	190.4	45.0	1"	246.8	4220.1	0.21	-0.66	647.75
CQP-090-942*/C1-B	F40	1240.0	176.5	1416.5	1169.0	580.5	37.0	180.0	190.4	45.0	1"	270.9	4492.8	0.41	0.18	652.90

-A at the end of the actuator code refers to Type A assembly shown at page 2
 -B at the end of the actuator code refers to Type B assembly shown at page 3

SPRING RETURN, FAIL TO OPEN, PNEUMATIC ACTUATOR - Dimensional Data

ACTUATOR MODEL	ISO 5211 FLANGE TYPE	ACTUATOR OVERALL DIMENSIONS				LIMIT SWITCH BOX MOUNTING DETAILS		VALVE COUPLING DIMENSIONS			M (NPT)	DISPL. (l)	WEIGHT (kg)	CENTER OF GRAVITY		
		A	B	C	Ø D	E	E1	Ø J (H9 Fit)	K ₀ ^{0.2}	L (D10 Fit)				Xg	Yg	Zg
CQP-010-300*/O1-A	F14	411.0	105.0	516.0	380.0	183.0	18.5	50.0	54.3	16.0	1/2"	6.8	173.1	-0.10	-0.07	211.88
CQP-010-320*/O1-A	F14	411.0	105.0	516.0	400.0	194.0	18.5	50.0	54.3	16.0	1/2"	7.7	181.2	-0.09	0.08	212.78
CQP-010-350*/O1-A	F14	411.0	105.0	516.0	432.0	210.0	18.5	50.0	54.3	16.0	1/2"	9.2	199.8	-0.09	0.06	213.34
CQP-010-300*/O1-B	F14	425.5	105.0	530.5	349.0	166.5	33.0	50.0	54.3	16.0	1/2"	6.8	199.5	-0.04	0.07	219.62
CQP-010-320*/O1-B	F14	425.5	105.0	530.5	373.0	179.5	33.0	50.0	54.3	16.0	1/2"	7.7	220.4	-0.04	0.07	219.90
CQP-010-350*/O1-B	F14	425.5	105.0	530.5	407.0	196.5	33.0	50.0	54.3	16.0	1/2"	9.2	250.4	-0.05	0.03	220.35
CQP-020-350*/O1-A	F16	524.0	116.0	640.0	432.0	209.5	22.0	60.0	64.4	18.0	1/2"	12.8	275.8	0.54	0.10	258.18
CQP-020-385*/O1-A	F16	524.0	116.0	640.0	465.0	226.5	22.0	60.0	64.4	18.0	1/2"	13.4	299.3	0.40	0.11	259.26
CQP-020-400*/O1-A	F16	524.0	116.0	640.0	480.0	234.5	22.0	60.0	64.4	18.0	1/2"	14.5	312.5	0.38	0.10	259.51
CQP-020-350*/O1-B	F16	538.0	116.0	654.0	407.0	197.0	36.0	60.0	64.4	18.0	1/2"	11.1	337.6	-0.72	0.16	269.92
CQP-020-385*/O1-B	F16	538.0	116.0	654.0	442.0	215.0	36.0	60.0	64.4	18.0	1/2"	13.4	370.5	0.34	0.05	269.80
CQP-020-400*/O1-B	F16	538.0	116.0	654.0	457.0	222.5	36.0	60.0	64.4	18.0	1/2"	14.5	385.6	0.09	-0.34	269.59
CQP-030-385*/O1-A	F16	621.0	119.0	740.0	465.0	226.5	22.0	60.0	64.4	18.0	1/2"	19.8	376.1	-1.27	-0.04	305.39
CQP-030-435*/O1-A	F16	621.0	119.0	740.0	515.0	251.5	22.0	60.0	64.4	18.0	1/2"	25.3	422.2	-1.17	-0.13	307.54
CQP-030-450*/O1-A	F16	621.0	119.0	740.0	530.0	259.0	22.0	60.0	64.4	18.0	1/2"	27.1	438.4	-1.15	-0.12	308.08
CQP-030-385*/O1-B	F16	635.0	119.0	754.0	442.0	215.0	36.0	60.0	64.4	18.0	1/2"	19.8	459.1	-0.98	-0.18	316.04
CQP-030-435*/O1-B	F16	635.0	119.0	754.0	492.0	240.0	36.0	60.0	64.4	18.0	1/2"	25.3	514.9	-0.75	-0.10	316.31
CQP-030-450*/O1-B	F16	635.0	119.0	754.0	507.0	247.5	36.0	60.0	64.4	18.0	1/2"	27.1	531.8	-0.93	-0.03	316.44
CQP-040-435*/O1-A	F25	713.0	129.5	842.5	514.0	252.0	21.5	72.0	76.9	20.0	1/2"	31.5	537.4	0.88	-0.39	348.90
CQP-040-485*/O1-A	F25	713.0	129.5	842.5	565.0	277.5	21.5	72.0	76.9	20.0	1/2"	33.8	597.5	0.77	-0.30	354.13
CQP-040-500*/O1-A	F25	713.0	129.5	842.5	580.0	285.0	21.5	72.0	76.9	20.0	1/2"	35.9	609.2	0.75	-0.48	354.75
CQP-040-435*/O1-B	F25	729.0	129.5	858.5	492.0	240.0	36.5	72.0	76.9	20.0	1/2"	27.2	645.0	0.71	-0.30	359.56
CQP-040-485*/O1-B	F25	729.0	129.5	858.5	542.0	266.0	36.5	72.0	76.9	20.0	1/2"	33.8	713.1	0.26	0.78	361.99
CQP-040-500*/O1-B	F25	729.0	129.5	858.5	561.0	275.5	36.5	72.0	76.9	20.0	1/2"	35.9	752.5	0.63	-0.27	362.44
CQP-050-485*/O1-A	F30	882.0	159.5	1041.5	570.0	280.5	23.0	98.0	104.4	28.0	1"	49.1	765.1	-1.16	-0.18	440.66
CQP-050-520*/O1-A	F30	882.0	159.5	1041.5	602.0	297.0	23.0	98.0	104.4	28.0	1"	56.4	802.8	-1.13	-0.18	443.37
CQP-050-560*/O1-A	F30	882.0	159.5	1041.5	642.0	317.0	23.0	98.0	104.4	28.0	1"	65.4	849.9	-1.11	-0.13	445.72
CQP-050-485*/O1-B	F30	897.0	159.5	1056.5	544.0	267.0	33.5	98.0	104.4	28.0	1"	49.1	931.9	-0.92	-0.17	449.19
CQP-050-520*/O1-B	F30	897.0	159.5	1056.5	579.0	285.0	33.5	98.0	104.4	28.0	1"	56.4	985.7	-0.88	-0.14	450.26
CQP-050-560*/O1-B	F30	897.0	159.5	1056.5	619.0	305.0	33.5	98.0	104.4	28.0	1"	65.4	1051.2	-0.83	-0.15	451.16
CQP-060-585*/O1-A	F30	936.0	167.0	1103.0	680.0	336.0	23.5	98.0	104.4	28.0	1"	70.8	1179.1	0.09	-0.53	453.05
CQP-060-635*/O1-A	F30	936.0	167.0	1103.0	730.0	361.0	23.5	98.0	104.4	28.0	1"	83.4	1305.5	0.06	-0.43	461.53
CQP-060-685*/O1-A	F30	936.0	167.0	1103.0	780.0	386.0	23.5	98.0	104.4	28.0	1"	97.0	1407.4	0.04	-0.44	469.33
CQP-060-585*/O1-B	F30	947.0	167.0	1114.0	646.0	319.0	34.0	98.0	104.4	28.0	1"	70.8	1391.4	0.07	-0.43	463.48
CQP-060-635*/O1-B	F30	947.0	167.0	1114.0	696.0	344.0	34.0	98.0	104.4	28.0	1"	83.4	1497.4	0.08	-0.42	468.63
CQP-060-685*/O1-B	F30	947.0	167.0	1114.0	746.0	369.0	34.0	98.0	104.4	28.0	1"	97.0	1614.6	0.08	-0.35	474.17
CQP-070-685*/O1-A	F35	1007.0	169.0	1176.0	780.0	386.0	27.0	160.0	169.4	40.0	1"	97.6	1563.1	-1.84	0.07	510.54
CQP-070-735*/O1-A	F35	1007.0	169.0	1176.0	835.0	413.5	27.0	160.0	169.4	40.0	1"	112.4	1690.9	-1.80	0.15	517.10
CQP-070-785*/O1-A	F35	1007.0	169.0	1176.0	890.0	441.0	27.0	160.0	169.4	40.0	1"	128.2	1847.3	-1.67	0.14	525.18
CQP-070-685*/O1-B	F35	1014.5	169.0	1183.5	746.0	369.0	34.5	160.0	169.4	40.0	1"	97.6	1769.8	-1.61	0.15	516.01
CQP-070-735*/O1-B	F35	1014.5	169.0	1183.5	796.0	394.0	34.5	160.0	169.4	40.0	1"	112.4	1903.3	-1.36	-0.14	520.78
CQP-070-785*/O1-B	F35	1014.5	169.0	1183.5	846.0	419.0	34.5	160.0	169.4	40.0	1"	128.2	2052.3	-1.47	0.10	526.79
CQP-080-785*/O1-A	F35	1107.0	171.0	1278.0	890.0	441.0	27.0	160.0	169.4	40.0	1"	135.1	2042.3	0.33	0.23	564.18
CQP-080-835*/O1-A	F35	1107.0	171.0	1278.0	952.0	472.0	27.0	160.0	169.4	40.0	1"	152.8	2223.2	0.26	0.37	571.22
CQP-080-885*/O1-A	F35	1107.0	171.0	1278.0	1010.0	501.0	27.0	160.0	169.4	40.0	1"	171.7	2400.7	0.37	0.09	577.02
CQP-080-785*/O1-B	F35	1114.5	171.0	1285.5	850.0	421.0	34.5	160.0	169.4	40.0	1"	135.1	2301.1	0.33	-0.26	569.90
CQP-080-835*/O1-B	F35	1114.5	171.0	1285.5	896.0	444.0	34.5	160.0	169.4	40.0	1"	152.8	2434.8	0.35	0.23	574.41
CQP-080-885*/O1-B	F35	1114.5	171.0	1285.5	946.0	469.0	34.5	160.0	169.4	40.0	1"	171.7	2607.8	0.31	0.24	578.88
CQP-090-937*/O1-A	F40	1233.0	176.5	1409.5	1095.0	543.5	30.0	180.0	190.4	45.0	1"	217.2	3535.8	0.20	-0.52	634.62
CQP-090-940*/O1-A	F40	1233.0	176.5	1409.5	1160.0	576.0	30.0	180.0	190.4	45.0	1"	246.8	3812.0	0.16	-0.60	646.72
CQP-090-942*/O1-A	F40	1233.0	176.5	1409.5	1220.0	606.0	30.0	180.0	190.4	45.0	1"	270.9	4179.9	0.51	-0.01	652.71
CQP-090-937*/O1-B	F40	1240.0	176.5	1416.5	1056.0	524.0	37.0	180.0	190.4	45.0	1"	217.2	3898.4	0.18	0.77	638.68
CQP-090-940*/O1-B	F40	1240.0	176.5	1416.5	1119.0	555.5	37.0	180.0	190.4	45.0	1"	246.8	4220.1	0.21	-0.66	647.75
CQP-090-942*/O1-B	F40	1240.0	176.5	1416.5	1169.0	580.5	37.0	180.0	190.4	45.0	1"	270.9	4492.8	0.41	0.18	652.90

-A at the end of the actuator code refers to Type A assembly shown at page 2
 -B at the end of the actuator code refers to Type B assembly shown at page 3

ACTUATOR MODEL	ISO 5211 FLANGE TYPE	ACTUATOR OVERALL DIMENSIONS				LIMIT SWITCH BOX MOUNTING DETAILS		VALVE COUPLING DIMENSIONS			M (NPT)	DISPL. (l)	WEIGHT (kg)	CENTER OF GRAVITY		
		A	B	C	Ø D	E	E1	Ø J (H9 Fit)	K ₀ ^{0.2}	L (D10 Fit)				Xg	Yg	Zg
CQP-010-300*/D1-A	F14	411.0	105.0	516.0	380.0	183.0	18.5	50.0	54.3	16.0	1/2"	14.7	153.2	-0.24	0.16	214.37
CQP-010-320*/D1-A	F14	411.0	105.0	516.0	400.0	194.0	18.5	50.0	54.3	16.0	1/2"	17.6	161.3	-0.23	0.3	215.28
CQP-010-350*/D1-A	F14	411.0	105.0	516.0	432.0	210.0	18.5	50.0	54.3	16.0	1/2"	22.3	179.9	-0.22	0.25	215.64
CQP-010-300*/D1-B	F14	425.5	105.0	530.5	349.0	166.5	33.0	50.0	54.3	16.0	1/2"	14.7	179.7	-0.16	0.29	220.99
CQP-010-320*/D1-B	F14	425.5	105.0	530.5	373.0	179.5	33.0	50.0	54.3	16.0	1/2"	17.6	200.5	-0.14	0.25	221.18
CQP-010-350*/D1-B	F14	425.5	105.0	530.5	407.0	196.5	33.0	50.0	54.3	16.0	1/2"	22.3	230.5	-0.15	0.18	221.5
CQP-020-350*/D1-A	F16	524.0	116.0	640.0	432.0	209.5	22.0	60.0	64.4	18.0	1/2"	27.1	337.5	-0.22	0.21	259
CQP-020-385*/D1-A	F16	524.0	116.0	640.0	465.0	226.5	22.0	60.0	64.4	18.0	1/2"	33.0	261.0	-0.31	0.2	260.17
CQP-020-400*/D1-A	F16	524.0	116.0	640.0	480.0	234.5	22.0	60.0	64.4	18.0	1/2"	36.5	274.2	-0.29	0.19	260.41
CQP-020-350*/D1-B	F16	538.0	116.0	654.0	407.0	197.0	36.0	60.0	64.4	18.0	1/2"	25.4	299.3	-0.14	0.12	270.28
CQP-020-385*/D1-B	F16	538.0	116.0	654.0	442.0	215.0	36.0	60.0	64.4	18.0	1/2"	33.0	332.2	-0.22	0.12	270.12
CQP-020-400*/D1-B	F16	538.0	116.0	654.0	457.0	222.5	36.0	60.0	64.4	18.0	1/2"	36.5	347.3	-0.2	0.12	269.87
CQP-030-385*/D1-A	F16	621.0	119.0	740.0	465.0	226.5	22.0	60.0	64.4	18.0	1/2"	39.2	320.1	-0.47	0.28	306.72
CQP-030-435*/D1-A	F16	621.0	119.0	740.0	515.0	251.5	22.0	60.0	64.4	18.0	1/2"	54.9	366.2	-0.45	0.14	309.03
CQP-030-450*/D1-A	F16	621.0	119.0	740.0	530.0	259.0	22.0	60.0	64.4	18.0	1/2"	60.0	382.5	-0.47	0.14	309.59
CQP-030-385*/D1-B	F16	635.0	119.0	754.0	442.0	215.0	36.0	60.0	64.4	18.0	1/2"	39.2	403.1	-0.3	0.07	316.63
CQP-030-435*/D1-B	F16	635.0	119.0	754.0	492.0	240.0	36.0	60.0	64.4	18.0	1/2"	54.9	459.0	-0.13	0.12	316.86
CQP-030-450*/D1-B	F16	635.0	119.0	754.0	507.0	247.5	36.0	60.0	64.4	18.0	1/2"	60.0	475.8	-0.35	0.19	316.99
CQP-040-435*/D1-A	F25	713.0	129.5	842.5	514.0	252.0	21.5	72.0	76.9	20.0	1/2"	56.0	453.0	-0.11	0.05	350.77
CQP-040-485*/D1-A	F25	713.0	129.5	842.5	565.0	277.5	21.5	72.0	76.9	20.0	1/2"	71.2	513.0	-0.12	0.1	356.63
CQP-040-500*/D1-A	F25	713.0	129.5	842.5	580.0	285.0	21.5	72.0	76.9	20.0	1/2"	77.5	524.8	-0.13	-0.12	357.28
CQP-040-435*/D1-B	F25	729.0	129.5	858.5	492.0	240.0	36.5	72.0	76.9	20.0	1/2"	51.6	560.6	-0.12	0.07	360.27
CQP-040-485*/D1-B	F25	729.0	129.5	858.5	542.0	266.0	36.5	72.0	76.9	20.0	1/2"	71.2	628.7	-0.08	0.05	362.93
CQP-040-500*/D1-B	F25	729.0	129.5	858.5	561.0	275.5	36.5	72.0	76.9	20.0	1/2"	77.5	668.1	-0.08	0.05	363.38
CQP-050-485*/D1-A	F30	882.0	159.5	1041.5	570.0	280.5	23.0	98.0	104.4	28.0	1"	92.3	622.3	-0.33	0.01	445.87
CQP-050-520*/D1-A	F30	882.0	159.5	1041.5	602.0	297.0	23.0	98.0	104.4	28.0	1"	112.5	660.0	-0.34	0	448.74
CQP-050-560*/D1-A	F30	882.0	159.5	1041.5	642.0	317.0	23.0	98.0	104.4	28.0	1"	137.4	707.1	-0.37	0.01	451.2
CQP-050-485*/D1-B	F30	897.0	159.5	1056.5	544.0	267.0	33.5	98.0	104.4	28.0	1"	92.3	789.1	-0.21	-0.02	451.95
CQP-050-520*/D1-B	F30	897.0	159.5	1056.5	579.0	285.0	33.5	98.0	104.4	28.0	1"	112.5	842.9	-0.22	0.01	453.09
CQP-050-560*/D1-B	F30	897.0	159.5	1056.5	619.0	305.0	33.5	98.0	104.4	28.0	1"	137.4	908.4	-0.22	-0.01	453.92
CQP-060-585*/D1-A	F30	936.0	167.0	1103.0	680.0	336.0	23.5	98.0	104.4	28.0	1"	137.1	954.3	-0.26	-0.01	455.89
CQP-060-635*/D1-A	F30	936.0	167.0	1103.0	730.0	361.0	23.5	98.0	104.4	28.0	1"	173.5	1080.7	-0.25	0.05	465.81
CQP-060-685*/D1-A	F30	936.0	167.0	1103.0	780.0	386.0	23.5	98.0	104.4	28.0	1"	212.9	1182.6	-0.26	0	474.72
CQP-060-585*/D1-B	F30	947.0	167.0	1114.0	646.0	319.0	34.0	98.0	104.4	28.0	1"	137.1	1166.6	-0.23	0.02	465.69
CQP-060-635*/D1-B	F30	947.0	167.0	1114.0	696.0	344.0	34.0	98.0	104.4	28.0	1"	173.5	1272.5	-0.19	-0.01	471.57
CQP-060-685*/D1-B	F30	947.0	167.0	1114.0	746.0	369.0	34.0	98.0	104.4	28.0	1"	212.9	1389.8	-0.17	0.04	477.75
CQP-070-685*/D1-A	F35	1007.0	169.0	1176.0	780.0	386.0	27.0	160.0	169.4	40.0	1"	221.6	1255.2	-0.27	-0.13	519.75
CQP-070-735*/D1-A	F35	1007.0	169.0	1176.0	835.0	413.5	27.0	160.0	169.4	40.0	1"	266.5	1383.0	-0.36	-0.02	526.91
CQP-070-785*/D1-A	F35	1007.0	169.0	1176.0	890.0	441.0	27.0	160.0	169.4	40.0	1"	314.5	1539.4	-0.35	-0.01	535.62
CQP-070-685*/D1-B	F35	1014.5	169.0	1183.5	746.0	369.0	34.5	160.0	169.4	40.0	1"	221.6	1462.0	-0.21	-0.01	523.48
CQP-070-735*/D1-B	F35	1014.5	169.0	1183.5	796.0	394.0	34.5	160.0	169.4	40.0	1"	266.5	1595.5	-0.03	-0.34	528.55
CQP-070-785*/D1-B	F35	1014.5	169.0	1183.5	846.0	419.0	34.5	160.0	169.4	40.0	1"	314.5	1744.4	-0.28	-0.05	534.95
CQP-080-785*/D1-A	F35	1107.0	171.0	1278.0	890.0	441.0	27.0	160.0	169.4	40.0	1"	332.7	1723.7	-0.31	-0.13	571.98
CQP-080-835*/D1-A	F35	1107.0	171.0	1278.0	952.0	472.0	27.0	160.0	169.4	40.0	1"	388.7	1904.5	-0.32	0.07	579.45
CQP-080-885*/D1-A	F35	1107.0	171.0	1278.0	1010.0	501.0	27.0	160.0	169.4	40.0	1"	448.2	2082.1	-0.15	-0.23	585.44
CQP-080-785*/D1-B	F35	1114.5	171.0	1285.5	850.0	421.0	34.5	160.0	169.4	40.0	1"	332.7	1982.5	-0.22	-0.65	576.39
CQP-080-835*/D1-B	F35	1114.5	171.0	1285.5	896.0	444.0	34.5	160.0	169.4	40.0	1"	388.7	2116.2	-0.17	-0.07	581.17
CQP-080-885*/D1-B	F35	1114.5	171.0	1285.5	946.0	469.0	34.5	160.0	169.4	40.0	1"	448.2	2116.2	-0.17	-0.07	581.17
CQP-090-937*/D1-A	F40	1233.0	176.5	1409.5	1095.0	543.5	30.0	180.0	190.4	45.0	1"	601.5	2971.1	-0.21	0.16	645.39
CQP-090-940*/D1-A	F40	1233.0	176.5	1409.5	1160.0	576.0	30.0	180.0	190.4	45.0	1"	699.3	3247.4	-0.21	0	658.67
CQP-090-942*/D1-A	F40	1233.0	176.5	1409.5	1220.0	606.0	30.0	180.0	190.4	45.0	1"	778.7	3615.2	-0.14	0	664.38
CQP-090-937*/D1-B	F40	1240.0	176.5	1416.5	1056.0	524.0	37.0	180.0	190.4	45.0	1"	601.5	3333.7	-0.48	0.51	647.78
CQP-090-940*/D1-B	F40	1240.0	176.5	1416.5	1119.0	555.5	37.0	180.0	190.4	45.0	1"	699.3	3655.4	-0.11	-0.14	657.44
CQP-090-942*/D1-B	F40	1240.0	176.5	1416.5	1169.0	580.5	37.0	180.0	190.4	45.0	1"	778.7	3928.1	-0.11	-0.13	662.66

-A at the end of the actuator code refers to Type A assembly shown at page 2
 -B at the end of the actuator code refers to Type B assembly shown at page 3